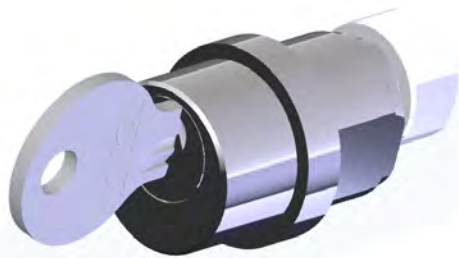
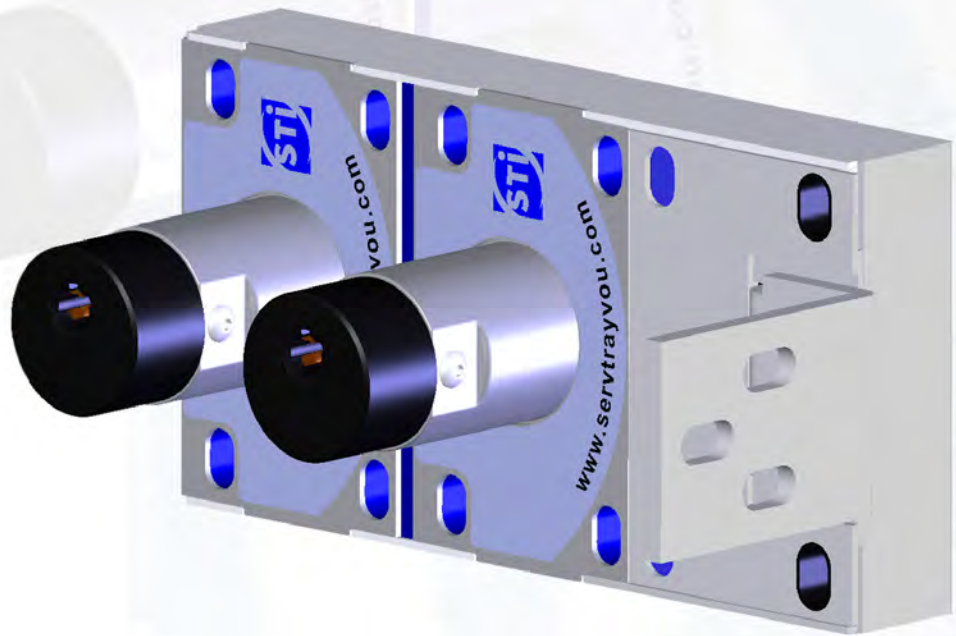




HERCULE Range
**PRODUCT
CATALOGUE**



SERV TRAYVOU
INTERVERROUILLAGE



THE KEY TRANSFER
SPECIALIST

SERV TRAYVOU INTERVERROUILLAGE

KNOW-HOW

STI designs and produces security devices with locking and interlocking solutions by key transfer.

Our expertise, in a field which involving millions of users, combined with that of the industrial group HALMA has enabled us to launch ranges adapted to the increasingly strict requirements of the industrial sector.

Currently Serv Trayvou is approved and acknowledged throughout the world as a leading authority in ensuring the safety of hazardous machines conforming to current safety standards.

Originally devised for railway applications, our products were quickly accepted Industry-wide as a result of their simplicity and efficiency. STI has offered personnel protection in railway and power generation, chemical and petro-chemical, steel, food, industries, among others.

SPECIFIC RANGE OF PRODUCTS

The ranges presented below are divided into 2 families: SERV - HFS

'S-NS' RANGE

Copper-aluminium locks designed for heavy duty applications or aggressive environments such as cement.

'NX' RANGE

Fully stainless steel locks. Suitable for all types of industrial applications (mechanical or electrical). Several combinations available.

'HFS' RANGE

Used mainly in Energy area to guarantee safety on medium & low voltage installations (transformer, circuit breaker...)

'ROTARY' RANGE

Made in nicked brass. Composed of rotary and cam locks for the locking of power or control circuits.

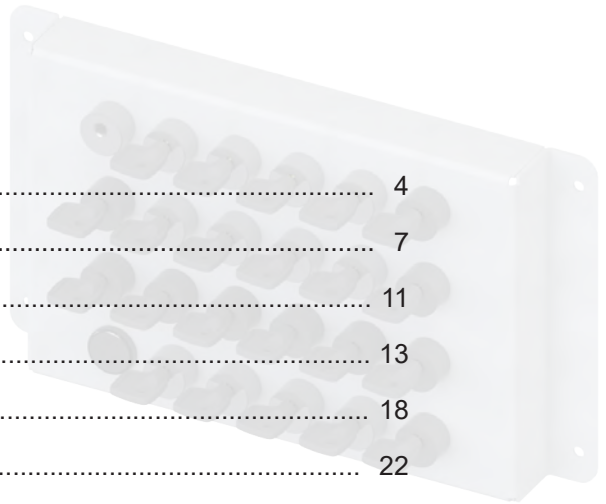
Other locking devices not fitting into the above categories are available to secure your at-risk facility. These are mainly specialist solutions (mostly logistics-related) which were eventually standardised.

A VOCATION

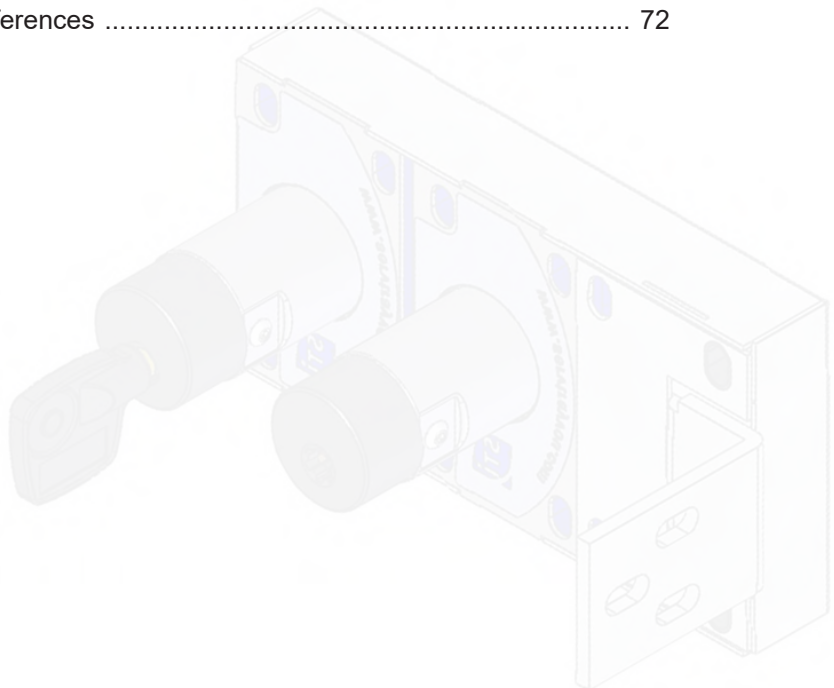
Strengthened by a century of expertise, STI has a solid R&D department conceiving not only standard solutions but also catering to specific safety requirements.

Most STI products confirm to the machine directive 2006/42/CE which prescribes essential health and safety requirements for dangerous machines.

SUMMARY



Technicals features	4
Key types	7
Key marking	11
Locks marking	13
Camlock	18
Boltlock	22
Boltlock with switch	34
Doorlock	37
Key exchange box	43
Electromechanical lock	48
Special products	55
Accessories	61
Glossary	64
List of locks functions	68
How to build product references	72



TECHNICAL FEATURES

LOCK FEATURES:

- can only be activated by its own key
- blocked and can not be activated without its key
- key kept captive when locked

Climatic performances
240h salt spray
Storage temperature : -55°C / +85°C
Operating temperature : -25°C / +85°C
Average humidity rate : 95% after 24h and 90% after 1 month

Mechanical performances
IP40
IK08
Mechanical withstand 60daN minimum (boltlock and doorlock)
Resistance to vibrations according IEC 60068-2-6

Materials used:

Black anodised aluminium

Aeronautical composite (65% GF)

Brass

Stainless steel 303 et 304

IMPORTANT

- Key codes are managed by STI for each customer and each installation site.
- All dimensions in this catalogue are quoted in millimetres.

TECHNICAL FEATURES

2 DIFFERENT TYPES OF CYLINDERS ARE AVAILABLE (ROHS)

Mixed: Stator aluminium / Rotor composite

All aluminium: Stator aluminium / Rotor aluminium

VERSION 6000

MIXED		Inside	Outside	Offshore
	Camlock *			
	Boltlock			
	Doorlock			

* For all mechanical loads applied to the "driving square" (> to 6.5 Nm), prefer the all aluminium version

VERSION 5000

ALL ALUMINIUM		Inside	Outside	Offshore
	Camlock			
	Boltlock			
	Doorlock			

EXAMPLES OF APPLICATIONS



Pictures not contractually binding. Content and technical data subject to change without notice. To be confirm when ordering. QD33-2 - July 2019 edition - © Serv Trayvou Interverrouillage

Key Types



STAR KEYS

The PS key (or Star key) for locks equipped with a pin tumbler system.

PS keys are available either with plastic or metal key heads.

2 000 000 different key code combinations are available.

The key presented below are only for Hercule range and part of STI Serv Trayvou products.

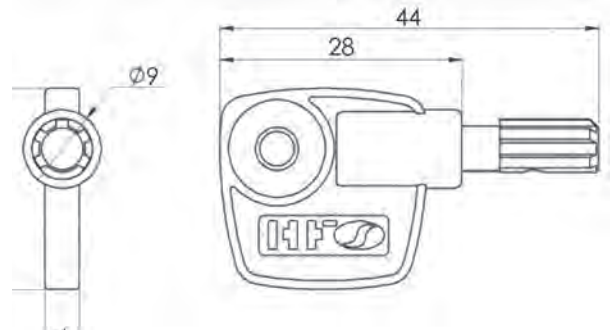
For more information and complete technical dimensions, do not hesitate to contact us by phone +33 1 48 18 15 15 or mail sales@servtrayvou.com

STAR KEY - PCHF5



- Material** : Black nylon (key head)
Brass (key insert)
- Possible key code combinations** : 2 000 000
- Breaking torque : 8 Nm
- Front face of the key sticks out from the lock : 29.5 mm
- Weight : 10 g

- Options** : Customer marking 8 letters/figures maximum
(Height = 2.5 mm)

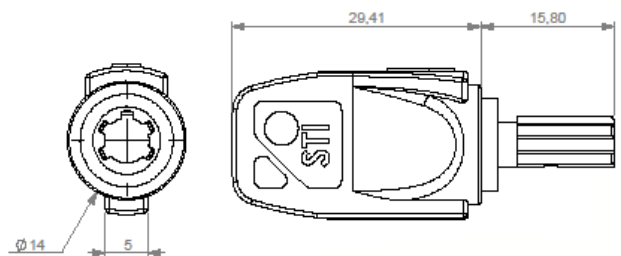


STAR KEY Waterproof - PSTI5



- Material** : Zamack & nickel-plated (key head)
Brass (key insert)
- Possible key code combinations** : 2 000 000
- Breaking torque : 8 Nm
- Front face of the key sticks out from the lock : 48.5 mm
- Weight : 20 g

- Options** : Customer marking 8 letters/figures maximum
(Height = 2.5 mm)
Colored



Pictures not contractually binding. Content and technical data subject to change without notice. To be confirm when ordering. QD33-2 - July 2019 - edition - © Serv Trayvou Interverrouillage



FLAT KEYS

The RP key (or Flat key) for locks equipped with a pin system. These keys are available for 5 or 6 pin locks, each with 6 different key profiles. There are 53,000 possible combinations for the 5 pin locks and 478,000 for the 6 pin.

The key presented below are only for Hercule range and part of STI Serv Trayvou products.

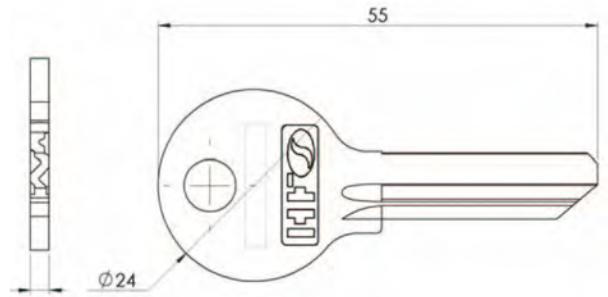
For more information and complete technical dimensions, do not hesitate to contact us by phone +33 1 48 18 15 15 or mail sales@servtrayvou.com

FLAT KEY - RCEL5*



Material	: 5 pin nickel-plated brass
Possible key code combinations	: 53 000
Breaking torque	: 5 Nm
Different Key profile	: 6
Front face of the key sticks out from the lock	: 28 mm
Weight	: 12 g

Options	: Customer marking 8 letters/figures maximum (Height = 2.5 mm) : Colour rings
----------------	--

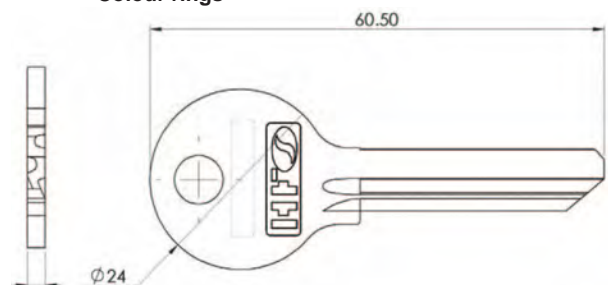


FLAT KEY - RCG*6



Material	: 6 pin nickel-plated brass
Possible key code combinations	: 478 000
Breaking torque	: 5 Nm
Different Key profile	: 6
Front face of the key sticks out from the lock	: 28 mm
Weight	: 15 g

Options	: Customer marking 8 letters/figures maximum (Height = 2.5 mm) : Colour rings
----------------	--



SPECIAL STAR KEYS

This PS key (or Star key) for locks equipped with a pin tumbler system.

This key is specially designed for use with heavy-duty gloves.

2 000 000 different key code combinations are available.

The key presented below are only for Hercule range and part of STI Serv Trayvou products.

For more information and complete technical dimensions, do not hesitate to contact us by phone +33 1 48 18 15 15 or mail sales@servtrayvou.com

STAR KEY - PSTI5+



Material

: PPA + 50% fibreglass Black
Brass (key insert)

Possible key code combinations

: 2 000 000

Breaking torque

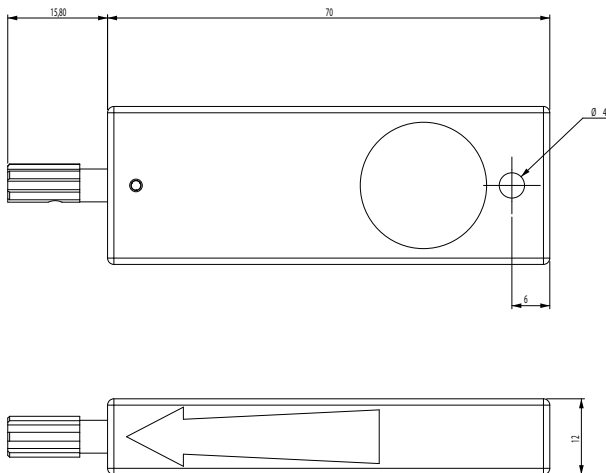
: 8 Nm

Weight

: 36 g

Options

: Customer marking, custom logo

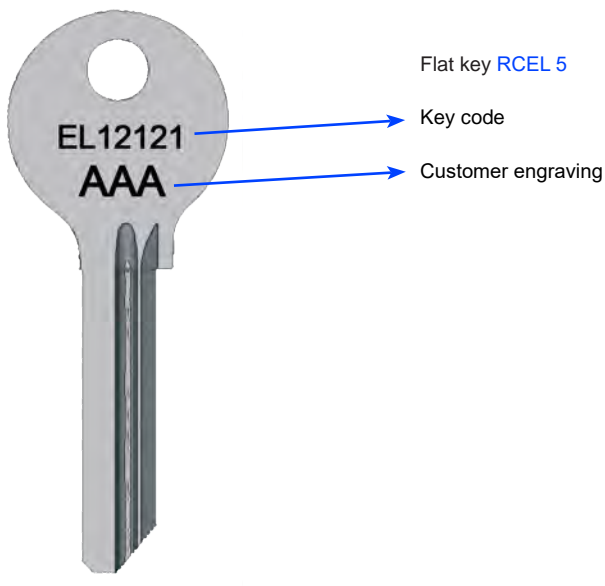
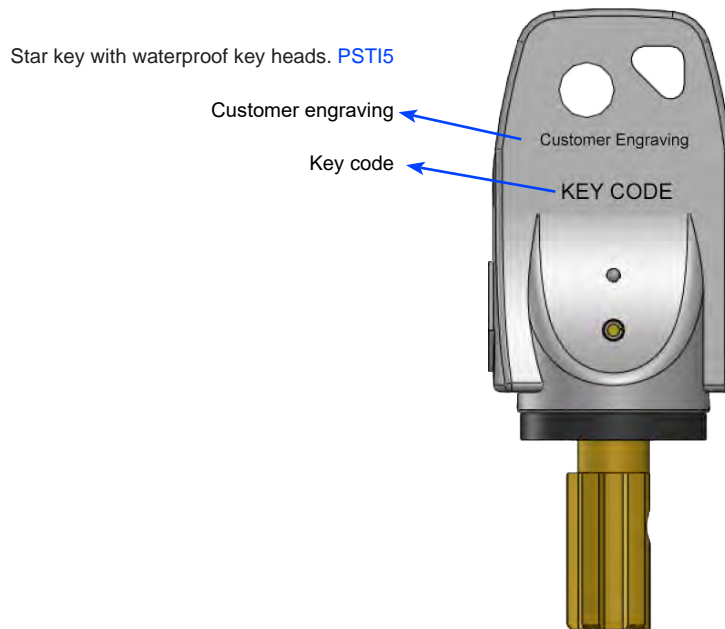
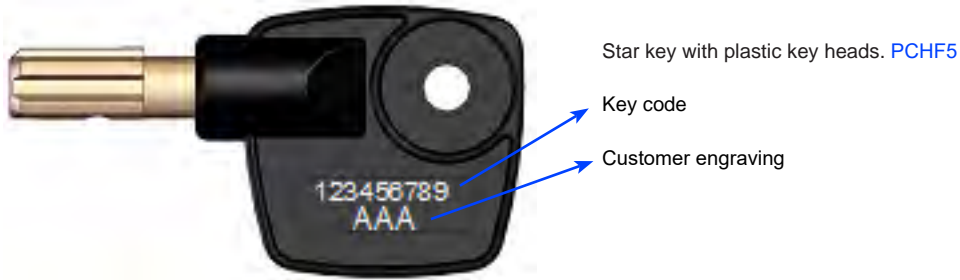


Key Marking



For more detailed technical dimensions , do not hesitate to contact us at +33 1 48 18 15 15 or by email: sales@servtrayvou.com

Customer engraving is optional

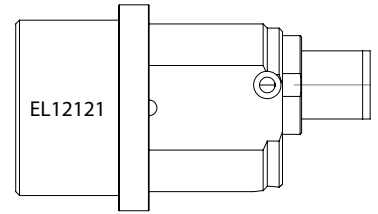


Locks Marking



Key codes are engraved on the front face of the lock.

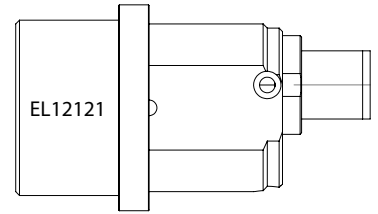
Custom engraving of more than 3 characters shall be on the front face with the key code on the side of the cylinder.



POSITION « A »	EXCHANGE		
	DOORLOCK		
	LOCKS		
	CAMLOCK		

Key codes are engraved on the front face of the lock.

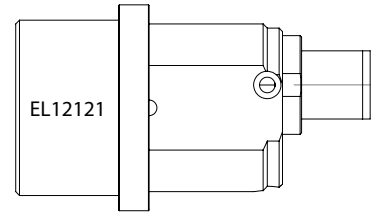
Custom engraving of more than 2 characters shall be on the front face with the key code on the side of the cylinder.



POSITION « B »		EXCHANGE	DOORLOCK	LOCKS	CAMLOCK

Key codes are engraved on the front face of the lock.

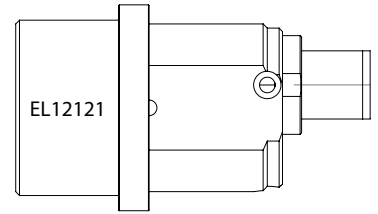
Custom engraving of more than 3 characters shall be on the front face with the key code on the side of the cylinder.



POSITION « C »			
CAMLOCK	LOCKS	DOORLOCK	EXCHANGE

Key codes are engraved on the front face of the lock.

Custom engraving of more than 2 characters shall be on the front face with the key code on the side of the cylinder.



POSITION « D »		EXCHANGE	DOORLOCK	LOCKS	CAMLOCK

Camlock



CAMLOCK

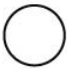
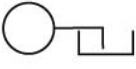


The locks are used for the mechanical locking of switches, circuit breakers, inverters, isolation switches and earth switches.

A cam is usually fixed on the driver at the back of the lock

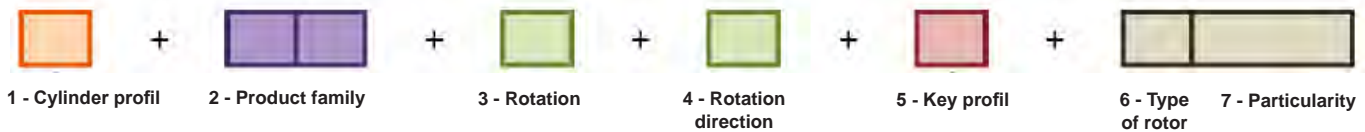
Cams are generally used to lock a device by concealing the entry of the switch's handle.

In order to reduce the camlock's length, rings can be added on the lock's threaded part.

Diagram

Key free		Initial position	
Key trapped		Final position	

Order Information



1 - Cylinder profil	2 - Product family	3 - Rotation	4 - Rotation direction	5 - Key profil	6 - Type of rotor	7 - Particularity
A: Flat key H: Star key	BA: Camlock BC: Camlock with switch	90° 180°	G: Left D: Right	Star key: PS Flat key 5 pins: EK, EL, EM, EP, ET, EV Flat key 6 pins: GK, GL, GM, GP, GT, GV	5: Aluminium 6: Composite	000: Standard xxx: Customize

With a switch





Electricals features:

This product complies with the low voltage directive (CE) 2006-95-CE

Rating at 240VCA:

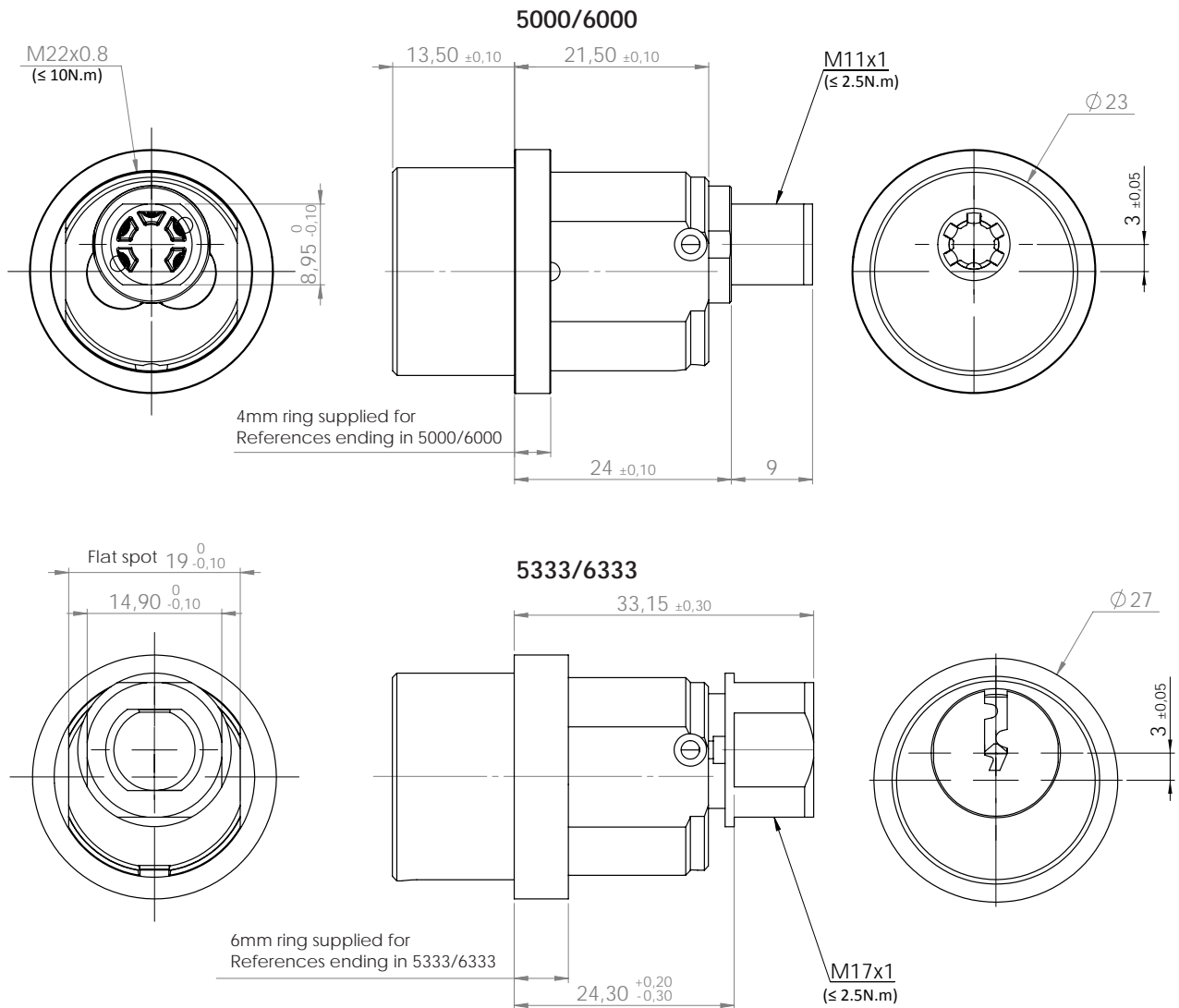
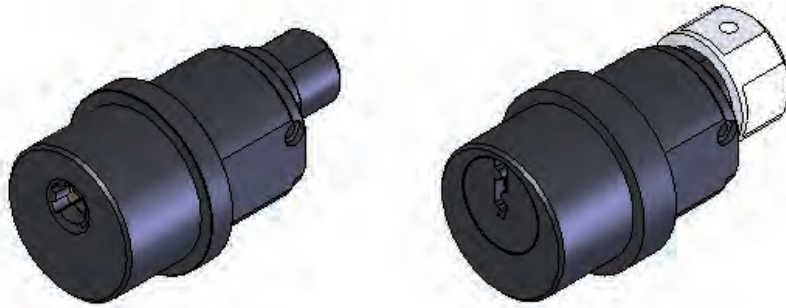
Nominal : 3A

Thermal: 10A

Key free		Initial position	
Key trapped		Final position	

Available Star keys & Flat keys

Each products is supplied with corresponding nuts

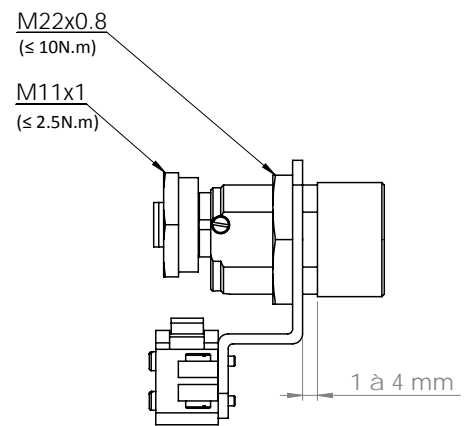
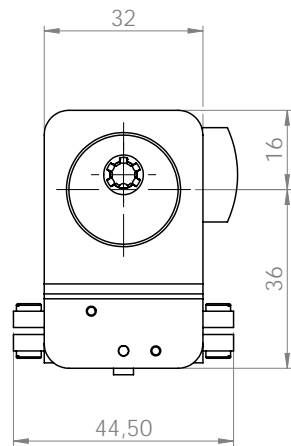
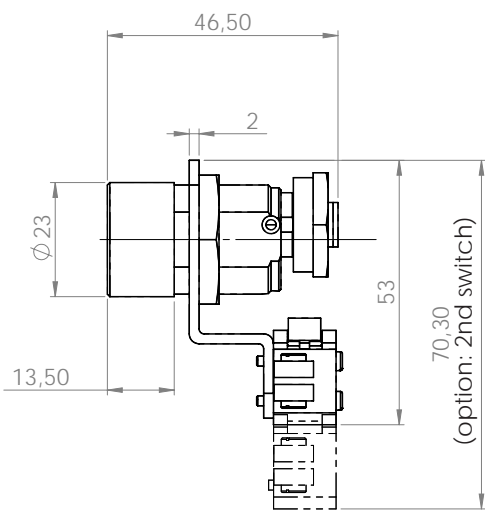
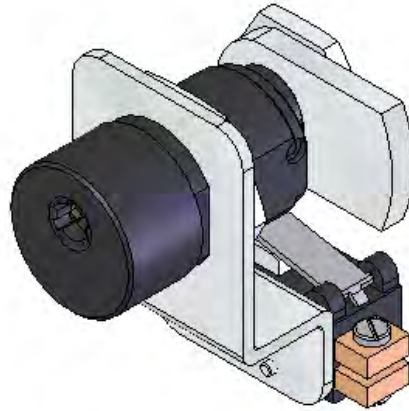


Drawing unit : millimeters

This plan is the property of STI and can not be reproduced without permission

Available Star keys & Flat keys

Ref: HBCPS6000



Change-over with double break



Drawing unit : millimeters

This plan is the property of STI and can not be reproduced without permission

Boltlock



BOLTLOCK

The boltlock is available with 1, 2 or 3 cylinders (depending on your application) used for the mechanical locking of switches, earthing switches.

An enclosure can be added, with the switch's status being changed by the bolt when the key is turned.

The bolt's position (in or out) determines the key status (trapped or free).

Boltlocks can be fixed either from cylinder side or from the opposite side of the cylinder.

For fixing, we strongly advise not to « re-drill » the fixing holes and to use fixing elements not exceeding ø5mm and with maximum torque value 5Nm.

Diagram

		Function	C	D
<input type="radio"/> Key free <input checked="" type="radio"/> Key trapped	Initial position			
	Final position			

		Function	F	H	J	K	L	M	N	J (2 bolts)	H (2 bolts)
<input type="radio"/> Key free <input checked="" type="radio"/> Key trapped	Initial position										
	Final position										

Order Information



1 - Cylinder profil	2 - Product family	3 - Nb of cylinder	4 - Nb of bolt	5 - Function	6 - Key profil	7 - Type of rotor	8 - Particularity
A: Flat key H: Star key	VE: Standard lock VC: Lock with switch	1 2 3	1 2	Function C, D, F, H, J, K, L, M, N	Star key: PS Flat key 5 pins: EK, EL, EM, EP, ET, EV Flat key 6 pins: GK, GL, GM, GP, GT, GV	5: Aluminium 6: Composite 7: Short	000: Standard xxx: Customize

With a switch

Electricals features:

This product complies with the low voltage directive (CE) 2006-95-CE

Rating at 240VCA:

Nominal : 5A
Thermal: 11A

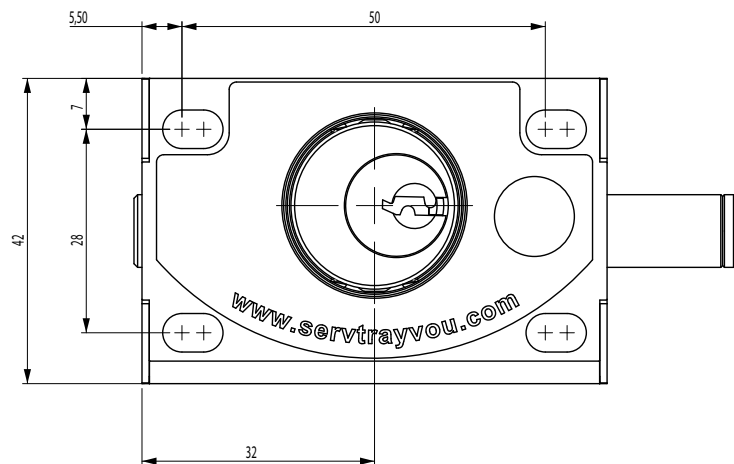
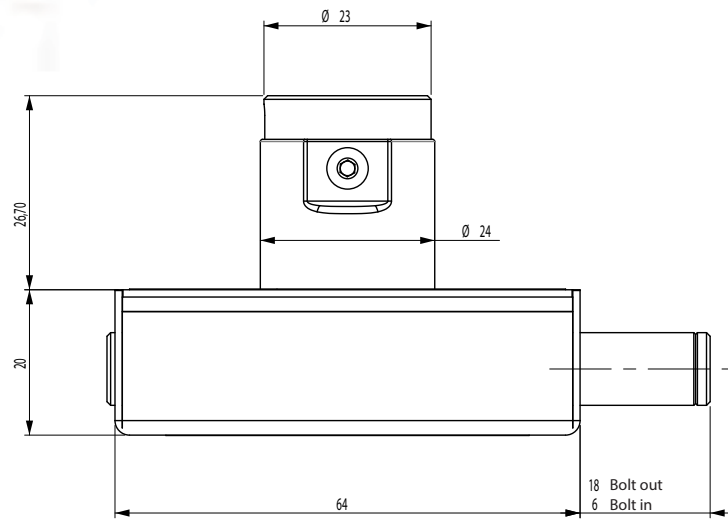
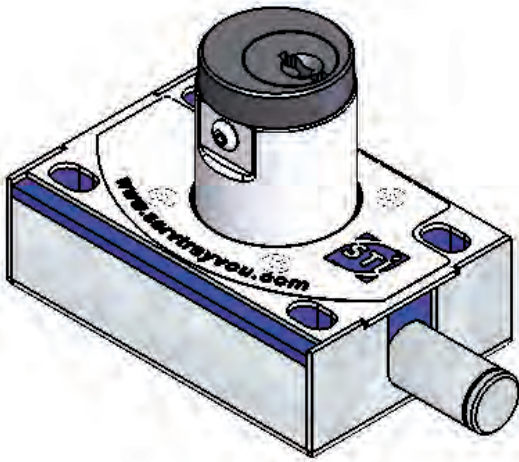
		Function	C - Initial	C - Final	D - Initial	D - Final			Function	F - Initial	F - Final	H - Initial	H - Final
<input type="radio"/> Key free <input checked="" type="radio"/> Key trapped	Position						<input type="radio"/> Key free <input checked="" type="radio"/> Key trapped	Position					

SHORT CYLINDER LOCK

Available Star keys & Flat keys

Ref: AVE11CEL7000

Only with 5 pins and aluminium rotor



Pictures not contractually binding. Content and technical data subject to change without notice. To be confirm when ordering. QD33-2 - July 2019 edition - © Serv Trayvou Interverrouillage

Drawing unit : millimeters

This plan is the property of STI and can not be reproduced without permission

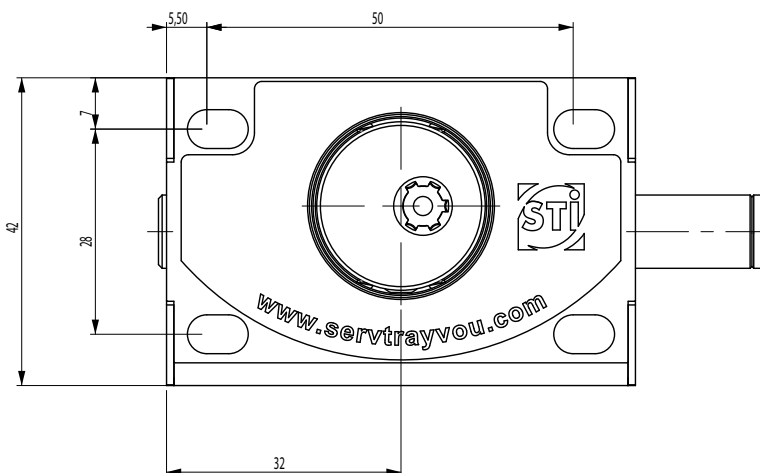
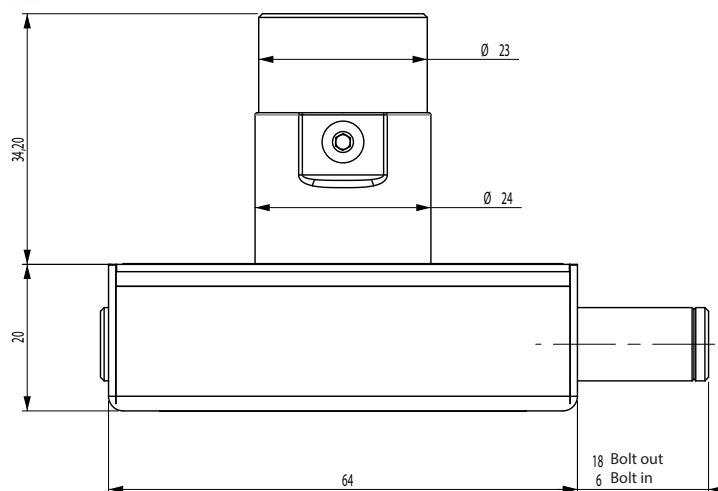
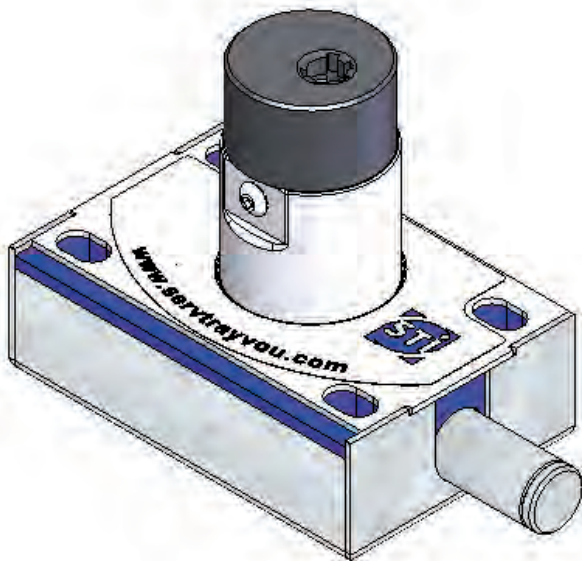


SHORT CYLINDER LOCK

Available Star keys & Flat keys

Ref: HVE11CPS7000

Only with 5 pins and aluminium rotor



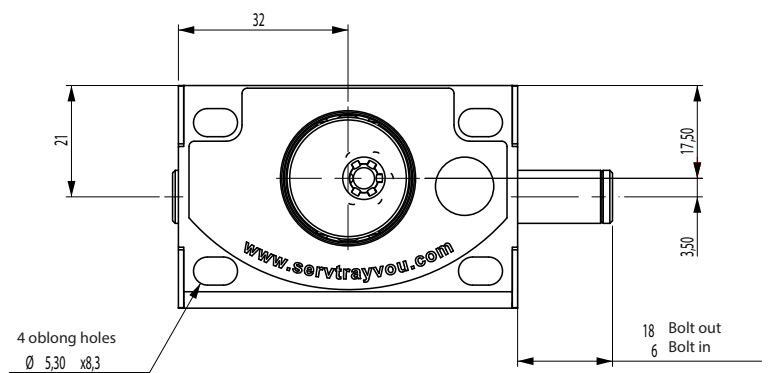
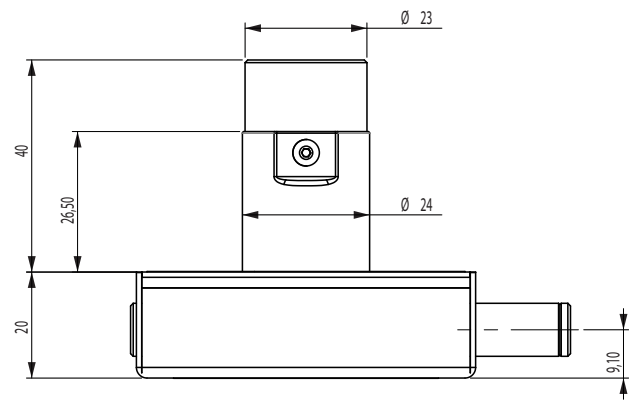
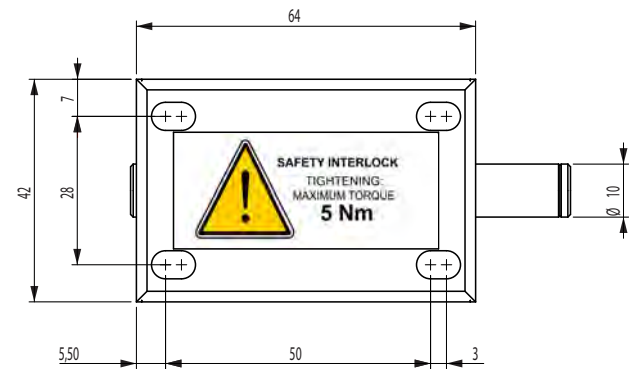
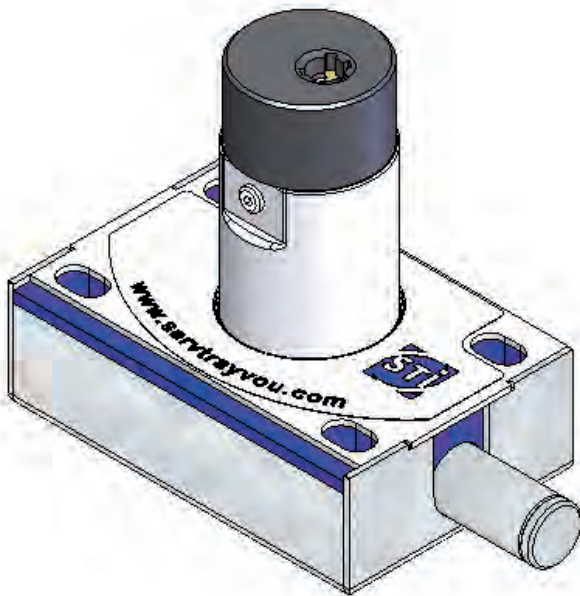
Drawing unit : millimeters

This plan is the property of STI and can not be reproduced without permission

STANDARD CYLINDER LOCK

Available Star keys & Flat keys

Ref: HVE11CPS6000



Pictures not contractually binding. Content and technical data subject to change without notice. To be confirm when ordering. QD33-2 - July 2019 edition - © Serv Trayvou Interverrouillage

Drawing unit : millimeters

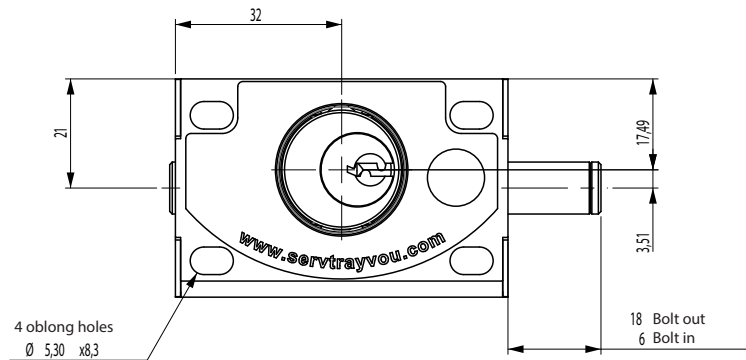
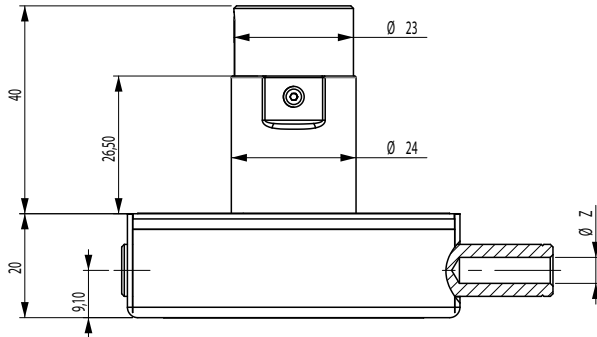
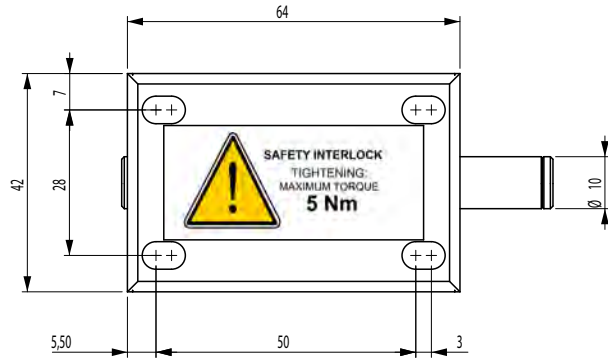
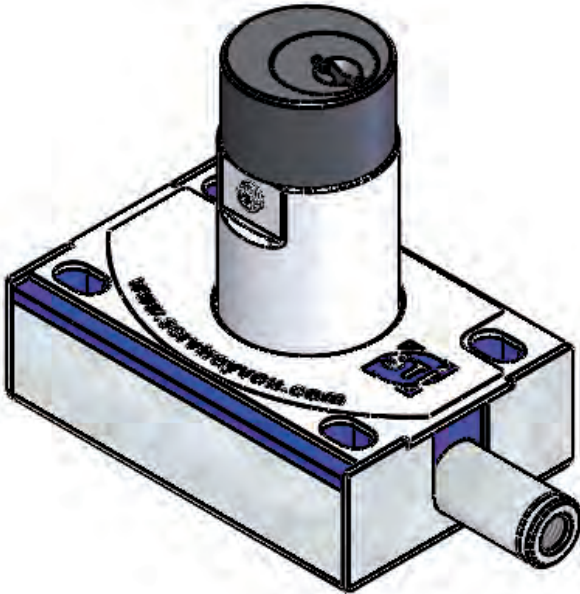
This plan is the property of STI and can not be reproduced without permission



STANDARD CYLINDER LOCK WITH TAPPED BOLT

Available Star keys & Flat keys

Ref: AVE11CEL6xxx



	Z value			
	M3x7	M4x9	M5x12	M6x13
Lockbolt frontside	x327	x328	x017	x024
Lockbolt backside	x284	x185	x087	x319

X= 5 if aluminium rotor
X= 6 if composite rotor

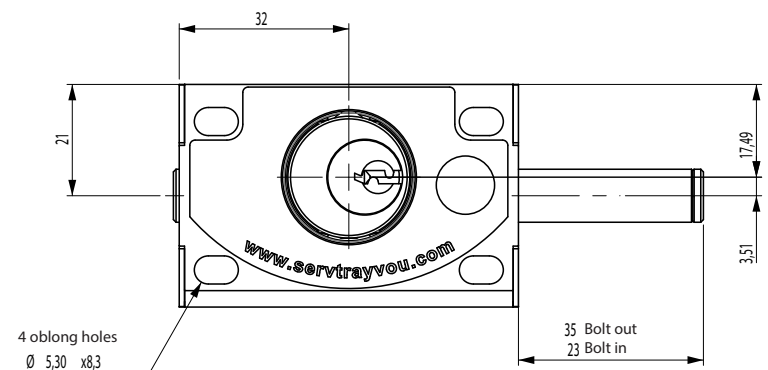
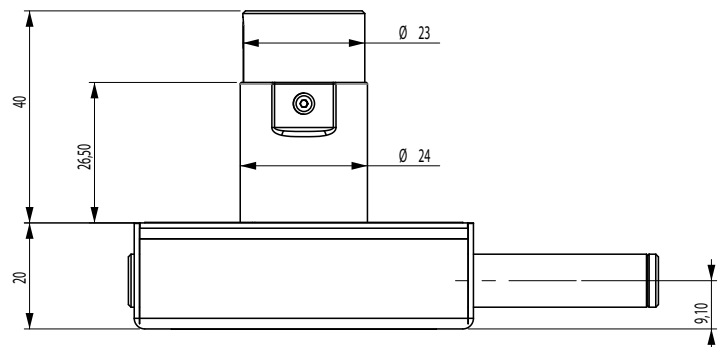
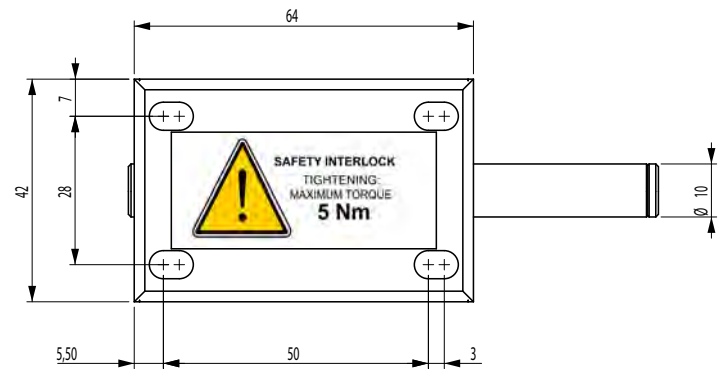
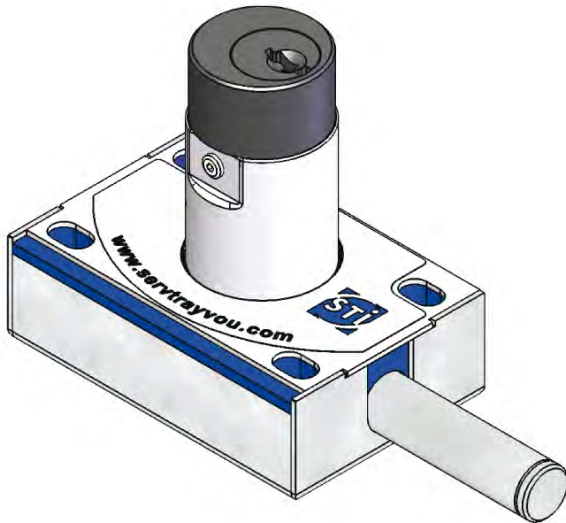
Drawing unit : millimeters

This plan is the property of STI and can not be reproduced without permission

STANDARD CYLINDER LOCK WITH 35 mm BOLT

Available Star keys & Flat keys

Ref: AVE11CEL6004 / 5004



Pictures not contractually binding. Content and technical data subject to change without notice. To be confirm when ordering. QD33-2 - July 2019 edition - © Serv Trayvou Interverrouillage

Drawing unit : millimeters

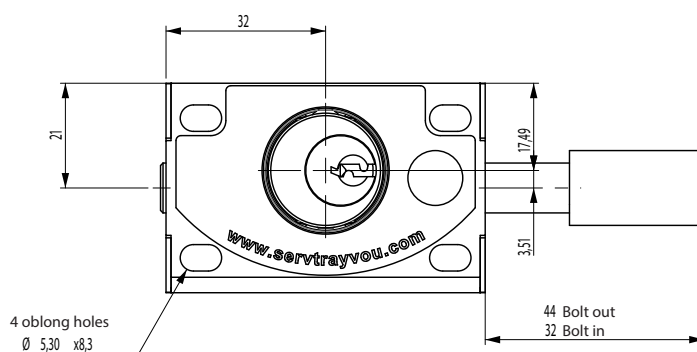
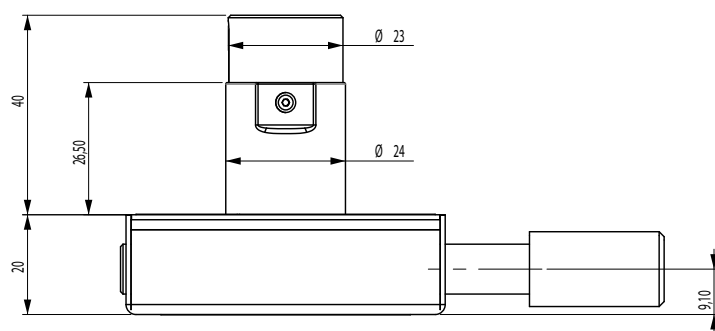
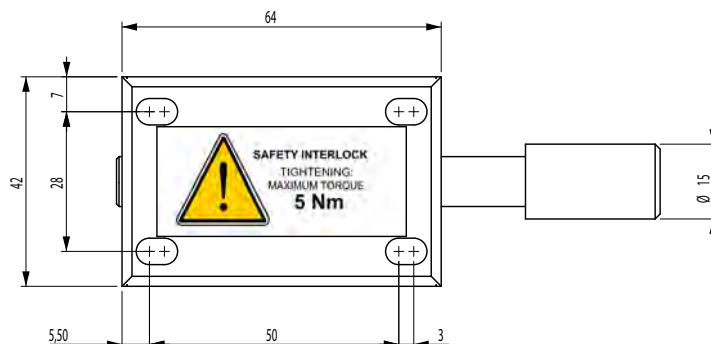
This plan is the property of STI and can not be reproduced without permission



STANDARD CYLINDER LOCK \varnothing 15/35 mm BOLT

Available Star keys & Flat keys

Ref: AVE11CEL6005 / 5005



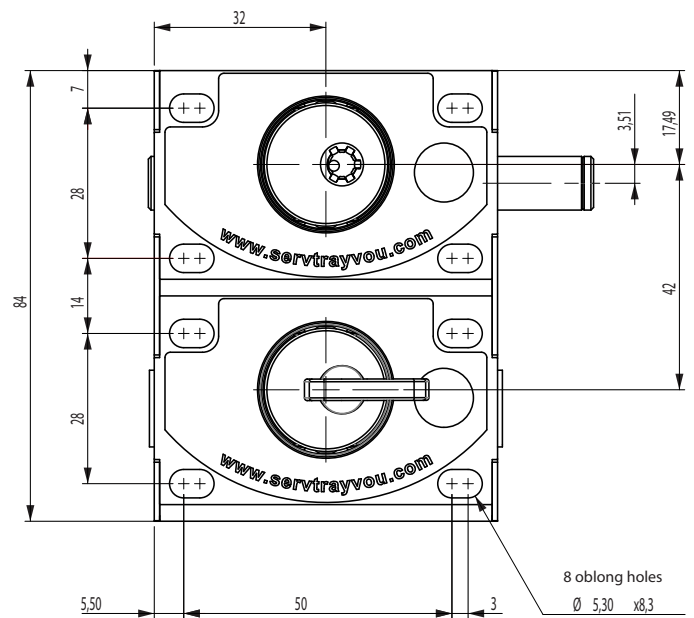
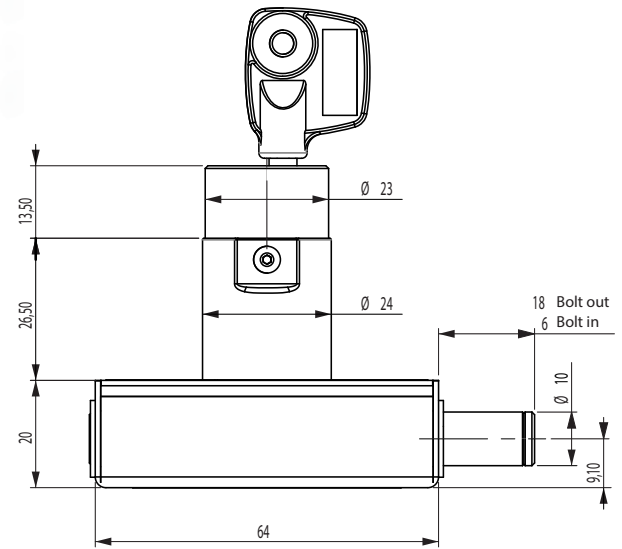
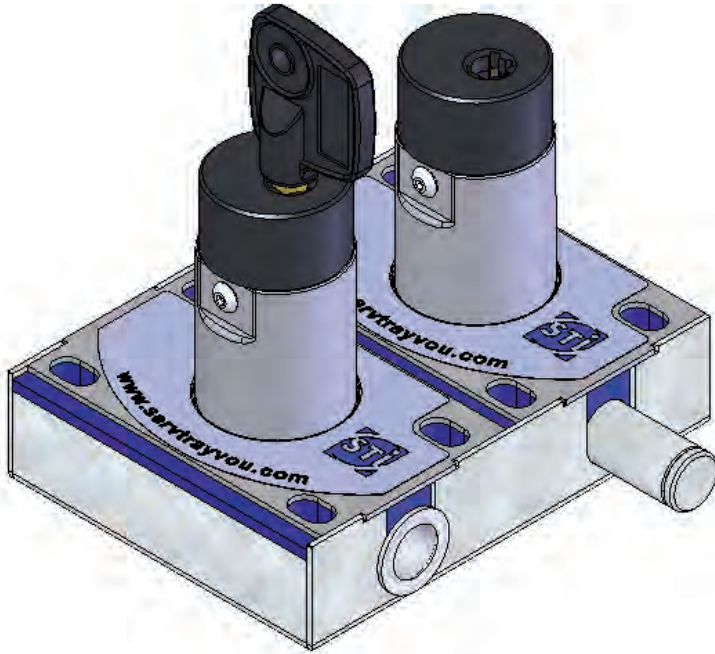
Drawing unit : millimeters

This plan is the property of STI and can not be reproduced without permission

STANDARD CYLINDER LOCK DUAL BOLTLOCK

Available Star keys & Flat keys

Ref: HVE21FPS6000



Pictures not contractually binding. Content and technical data subject to change without notice. To be confirm when ordering. QD33-2 - July 2019 - edition - © Serv Trayvou Interverrouillage

Drawing unit : millimeters

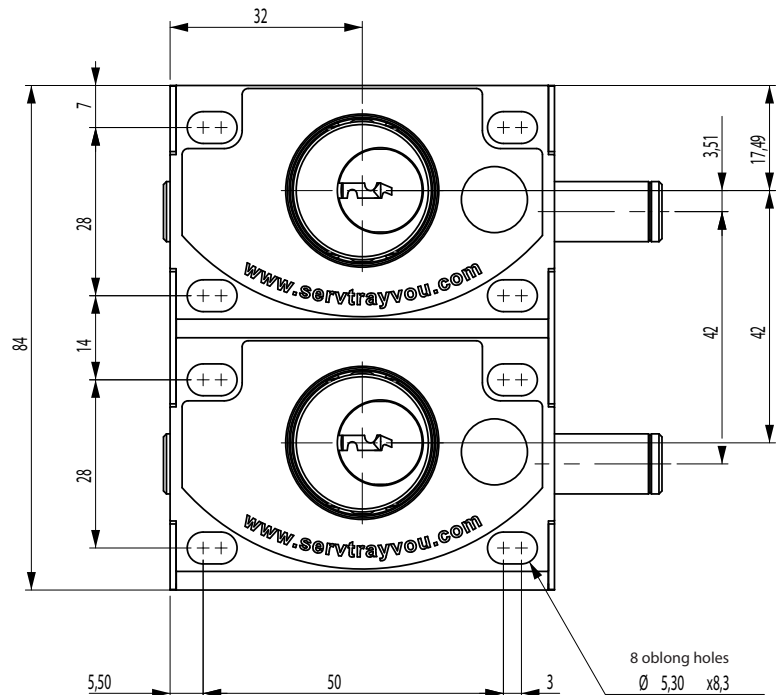
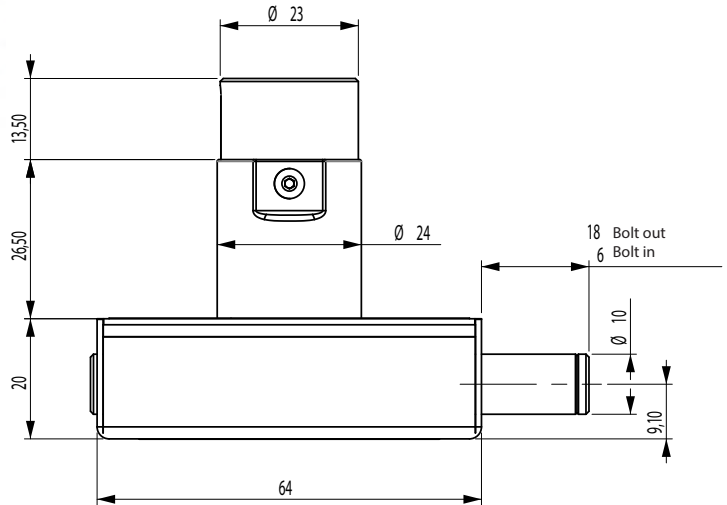
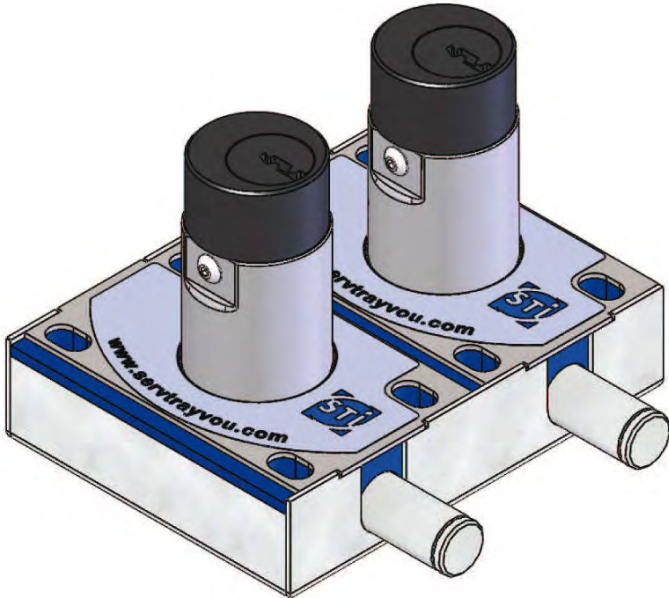
This plan is the property of STI and can not be reproduced without permission



STANDARD CYLINDER LOCK DUAL BOLTLOCK WITH 2 BOLTS

Available Star keys & Flat keys

Ref: AVE22HEL6000



Drawing unit : millimeters

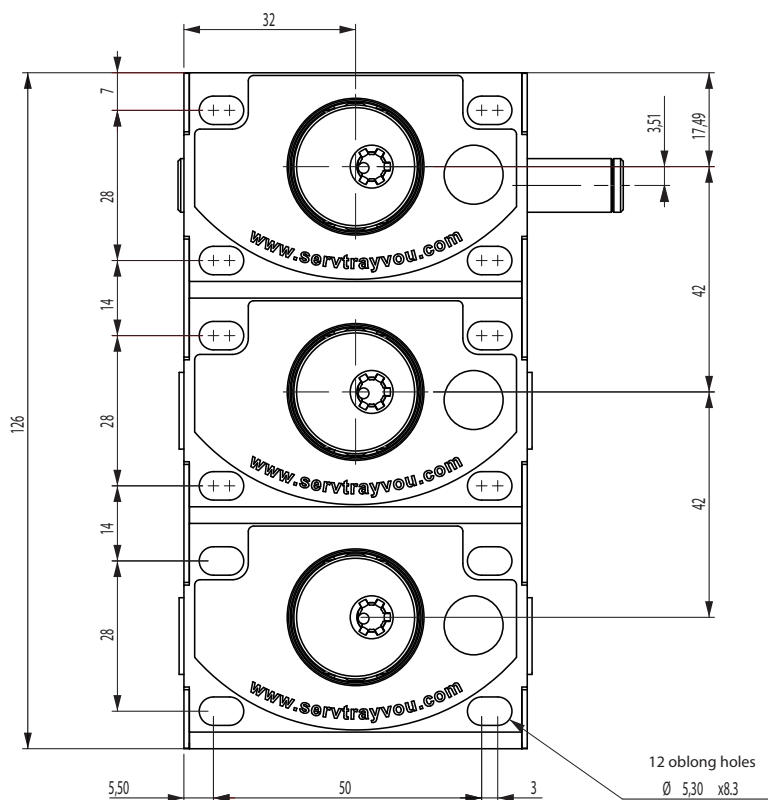
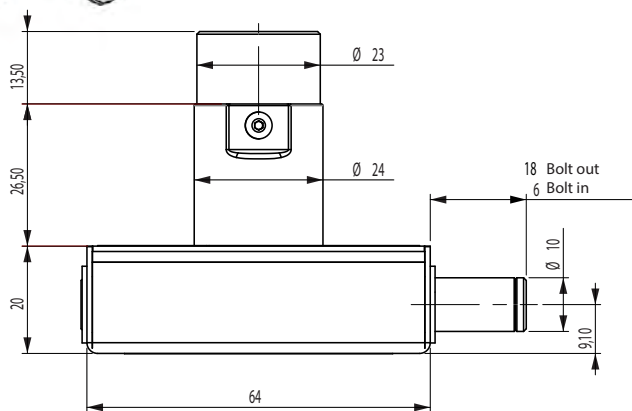
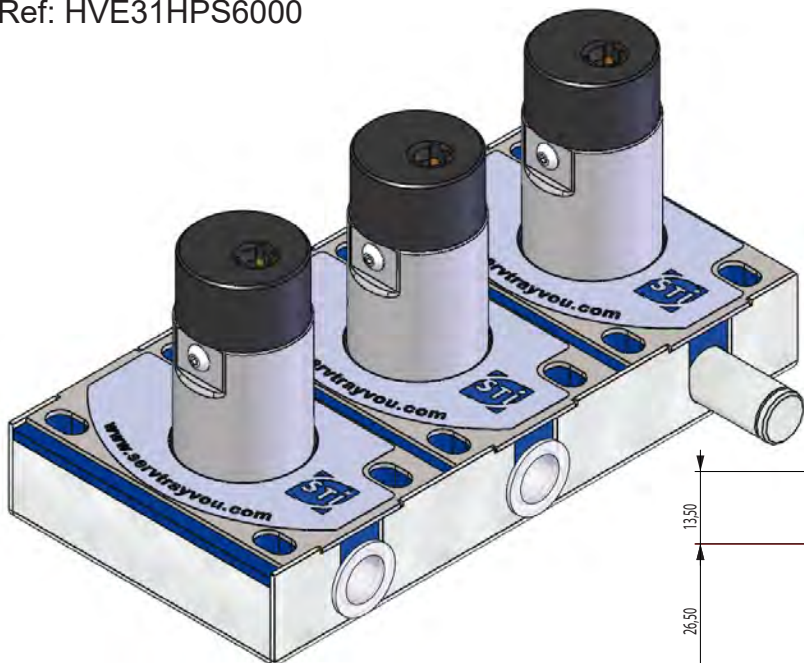
This plan is the property of STI and can not be reproduced without permission

Pictures not contractually binding. Content and technical data subject to change without notice. To be confirm when ordering. QD33-2 - July 2019 edition - © Serv Trayvou Interverrouillage

STANDARD CYLINDER LOCK 3 CYLINDERS BOLT LOCK

Available Star keys & Flat keys

Ref: HVE31HPS6000



Pictures not contractually binding. Content and technical data subject to change without notice. To be confirm when ordering. QD33-2 - July 2019 edition - © Serv Trayvou Interverrouillage

Drawing unit : millimeters

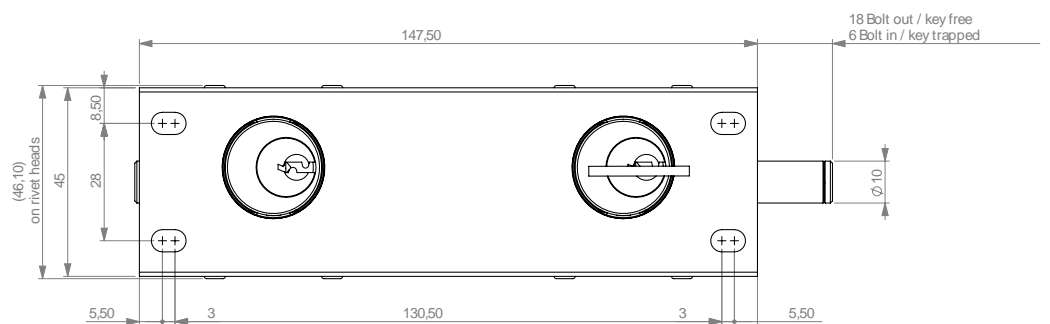
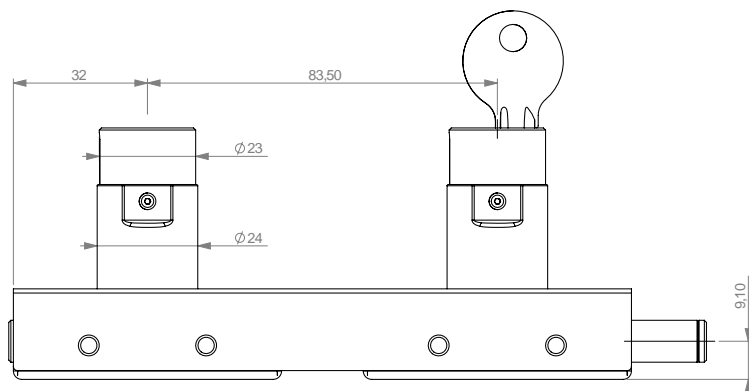
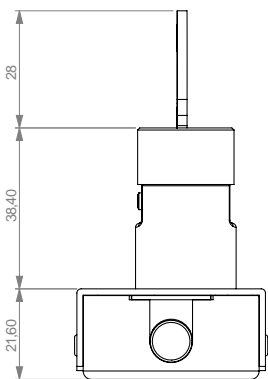
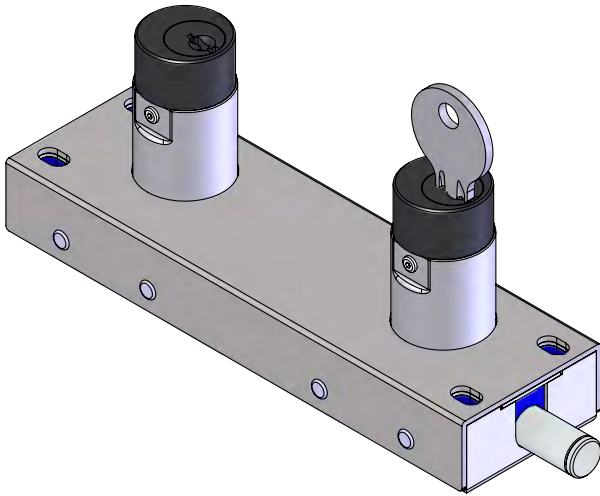
This plan is the property of STI and can not be reproduced without permission



DUAL BOLTLOCK WITH 2 BOLTS IN-LINE

Available Star keys & Flat keys

Ref : Contact us



8 trous oblongs

Drawing unit : millimeters

This plan is the property of STI and can not be reproduced without permission



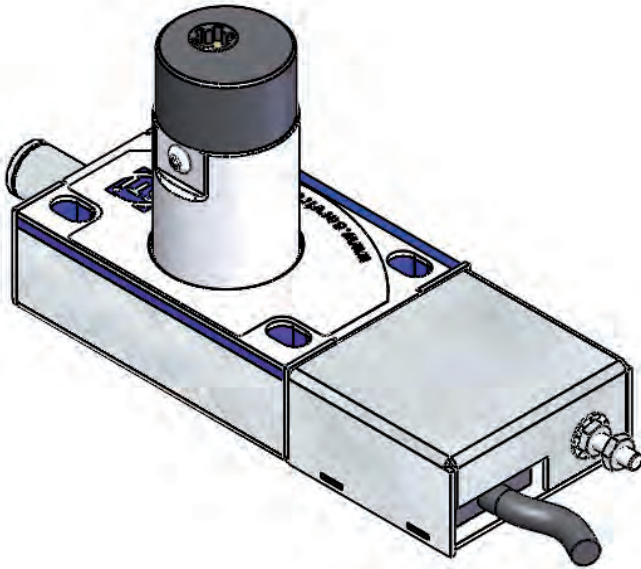
Boltlock with switch



BOLTLOCK WITH SWITCH

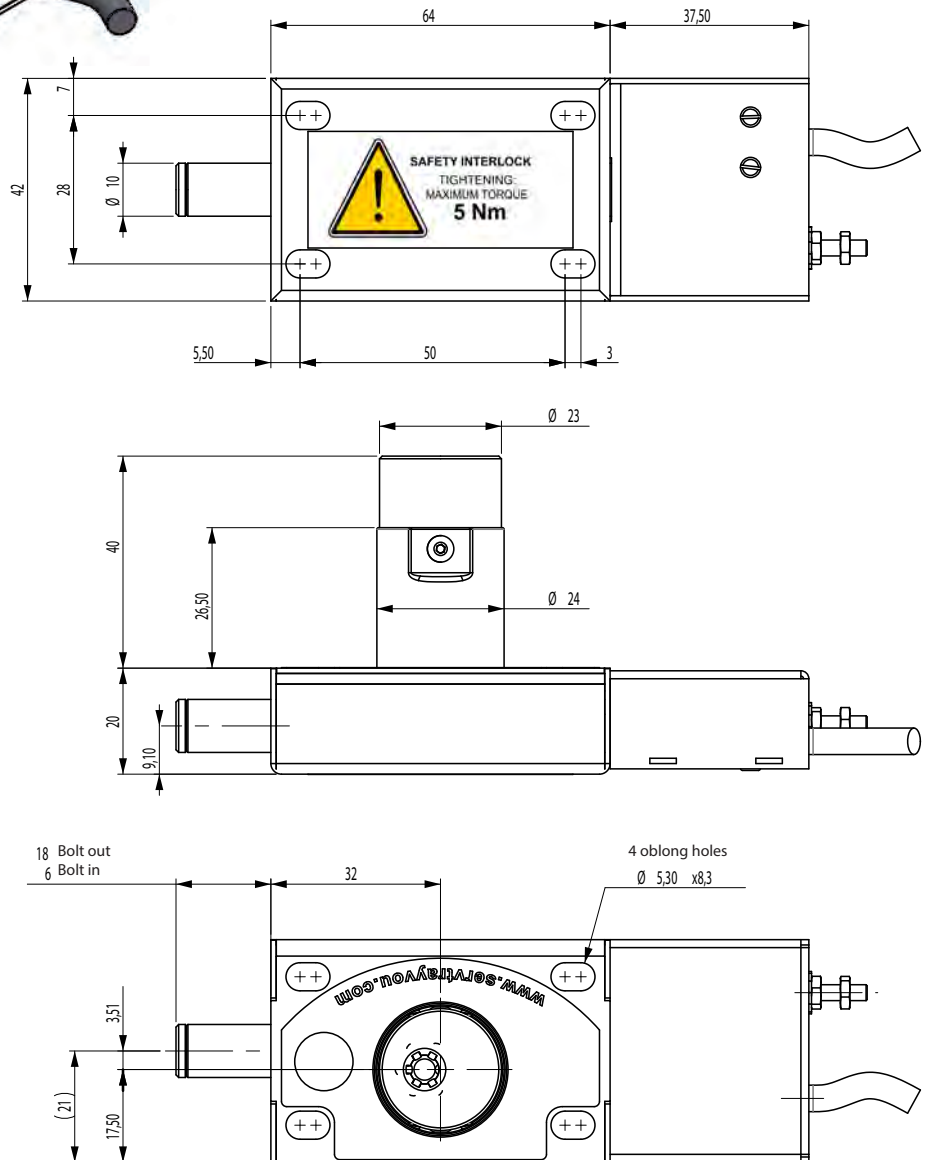
Available Star keys & Flat keys

Ref: HVC11CPS6000



Switch technical features:

- 1 cable lg 1.2m, section 0.5mm²
 - *Black = Commun
 - *Grey = NC
 - *Blue = NO
- Rating at 250 VAC
 - * Nominal: 6A
 - * Thermal: 7.5A
- IP67
- Operating temperature: -40°C / +105°C



Drawing unit : millimeters

This plan is the property of STI and can not be reproduced without permission

DUAL BOLTLOCK WITH SWITCH

Available Star keys & Flat keys

Ref: HVC21HPS6000

Switch technical features:

- 1 cable lg 1.2m, section 0.5mm²

*Black = Commun

*Grey = NC

*Blue = NO

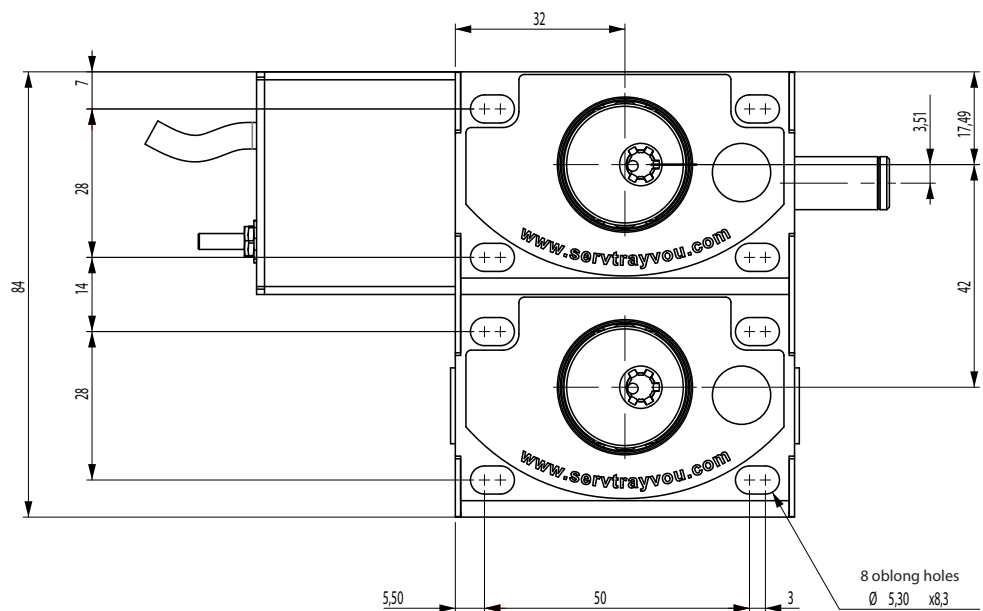
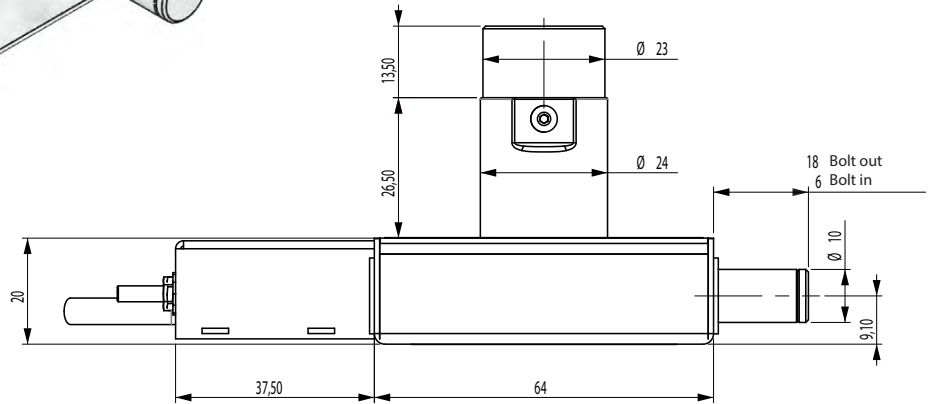
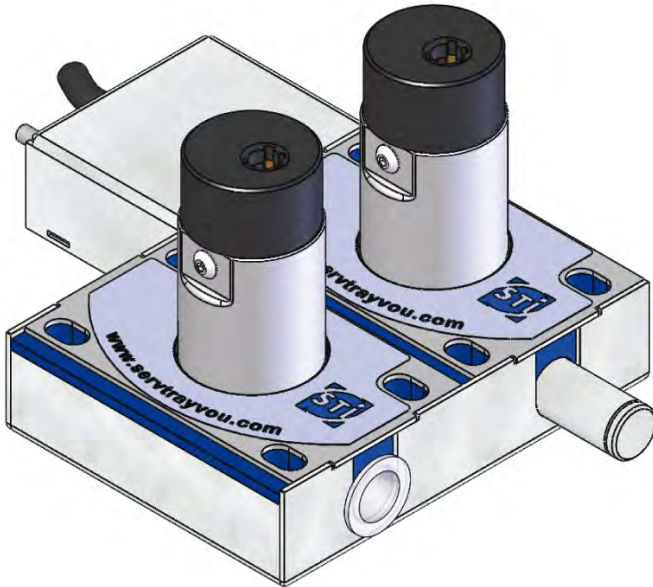
- Rating at 250 VAC

* Nominal: 6A

* Thermal: 7.5A

- IP67

- Operating temperature: -40°C / +105°C



Drawing unit : millimeters

This plan is the property of STI and can not be reproduced without permission

Pictures not contractually binding. Content and technical data subject to change without notice. To be confirm when ordering. QD33-2 - July 2019 - edition - © Serv Trayvou Interverrouillage



Doorlock



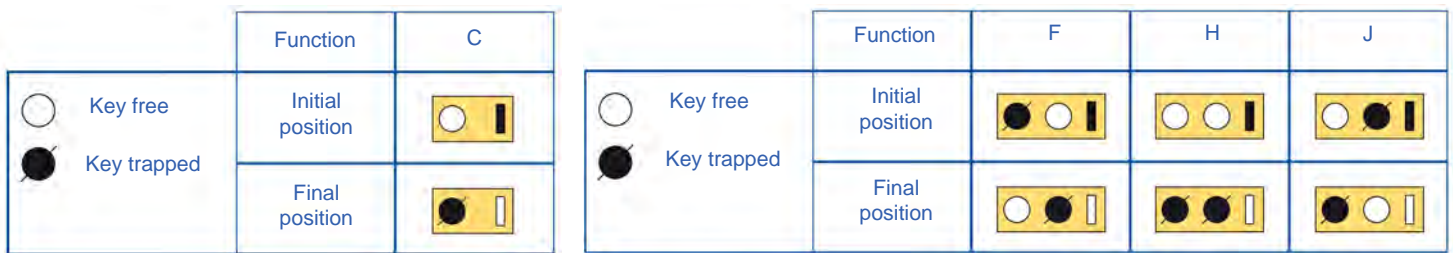
DOORLOCK

Doorlocks are used on access point (trap door, doors, gates ...) but also on transformer's plug in connectors. The key remains trapped while the access point is open and until the striker plate is reinserted to the lock. Depending on the type of interlocking required, you can have one or two cylinders but always one single striker plate.

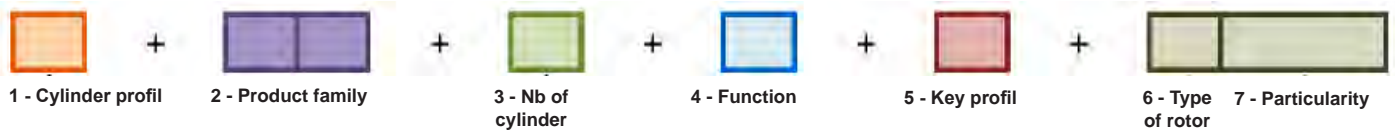
Door locks can be fixed either from cylinder side or from the opposite side of the cylinder. For fixing, we strongly advise not to « re-drill » the fixing holes and to use fixing elements not ex-ceeding $\varnothing 5\text{mm}$ and with maximum torque value 5Nm.

Different types of striker plates are available depending on the equipment. Striker plates can be inserted into the lock cylinder-side or on the side opposite the cylinder.

Diagram



Order Information



1 - Cylinder profil	2 - Product family	3 - Nb of cylinder	4 - Function	5 - Key profil	6 - Type of rotor	7 - Particularity
A: Flat key H: Star key	SP: Doorlock PC: Doorlock with switch	1 2 3	C F H J	Star key: PS Flat key 5 pins: EK, EL, EM, EP, ET, EV Flat key 6 pins: GK, GL, GM, GP, GT, GV	5: Aluminium 6: Composite 7: Short	000: Standard xxx: Customize

With a switch

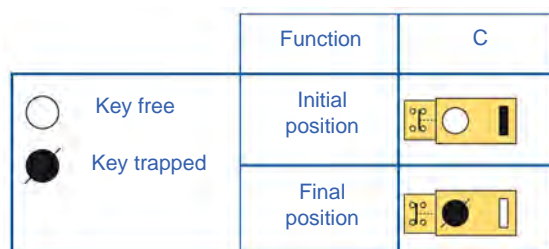
Electricals features:

This product complies with the low voltage directive (CE) 2006-95-CE

Rating at 250VCA:

Nominal : 5A

Thermal: 11A



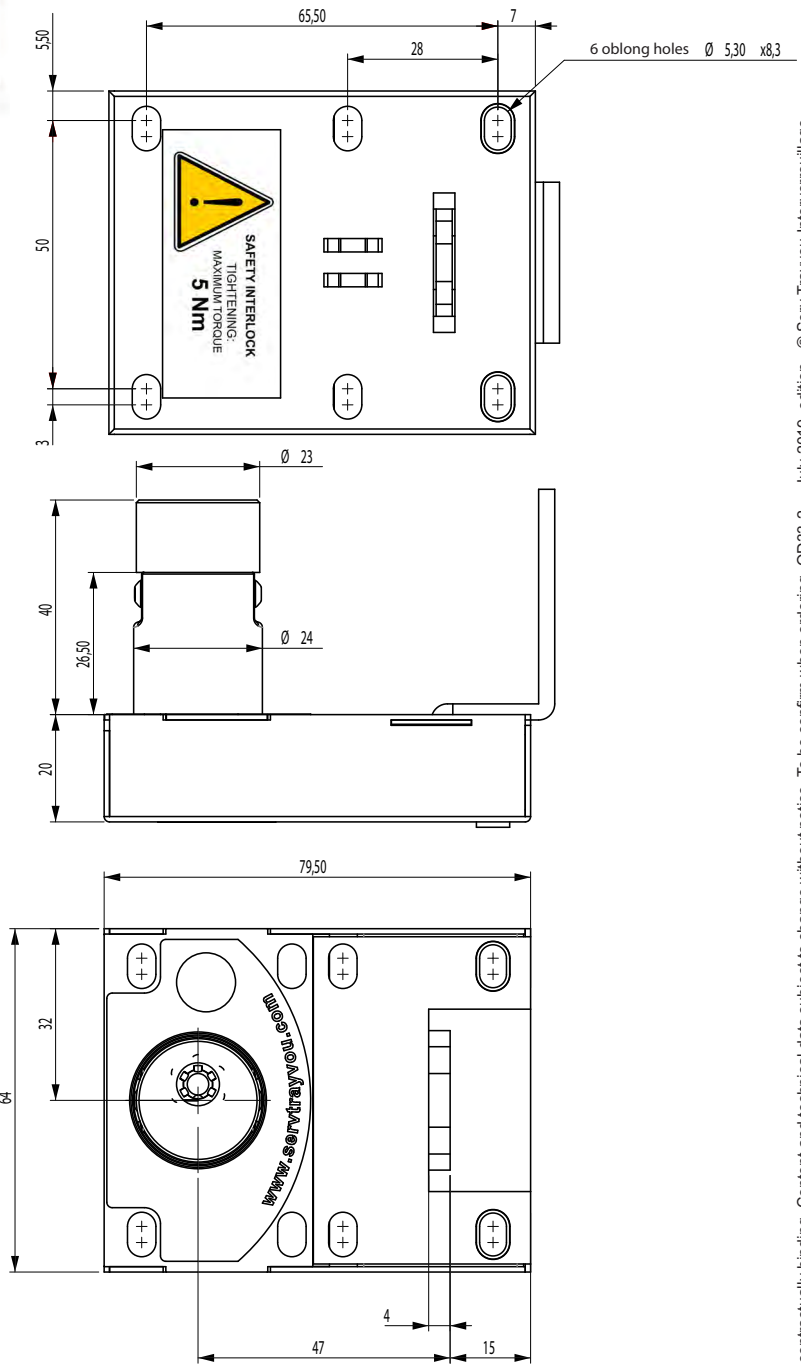
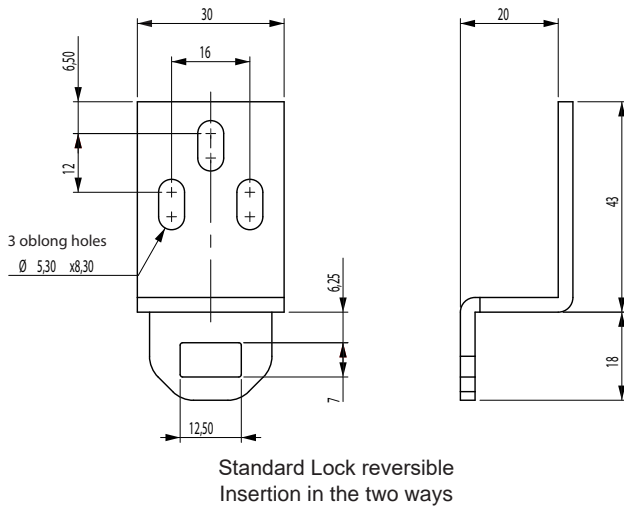
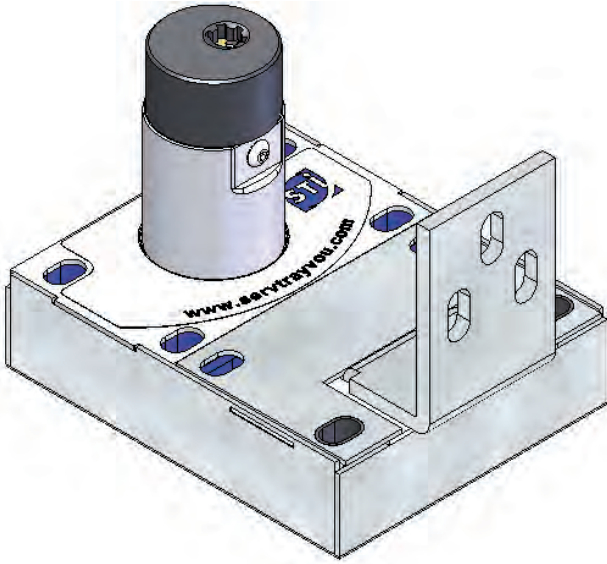
Pictures not contractually binding. Content and technical data subject to change without notice. To be confirm when ordering. QD33-2 - July 2019 edition -



SINGLE DOORLOCK

Available Star keys & Flat keys

Ref: HSP1CPS6000



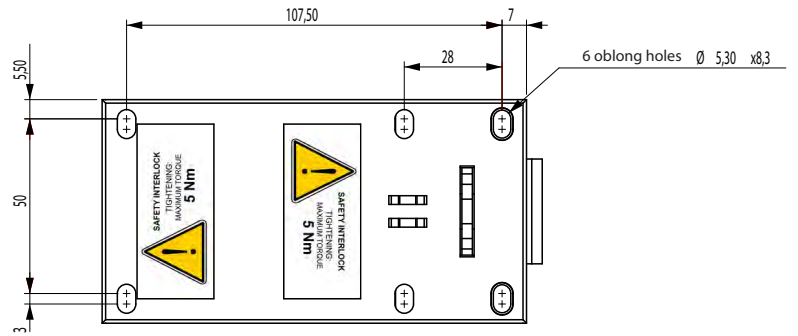
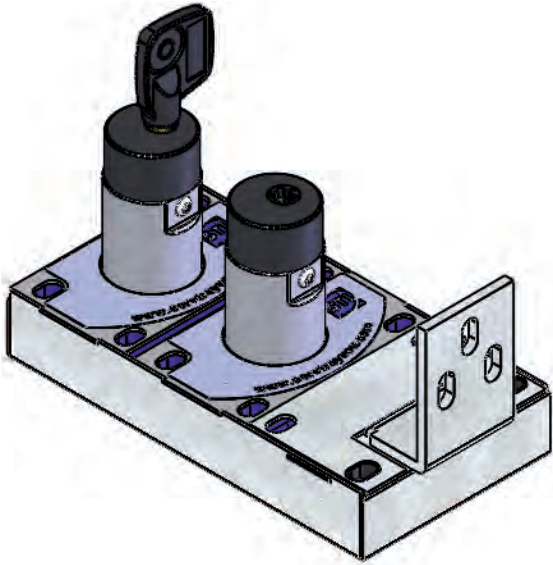
Drawing unit : millimeters

This plan is the property of STI and can not be reproduced without permission

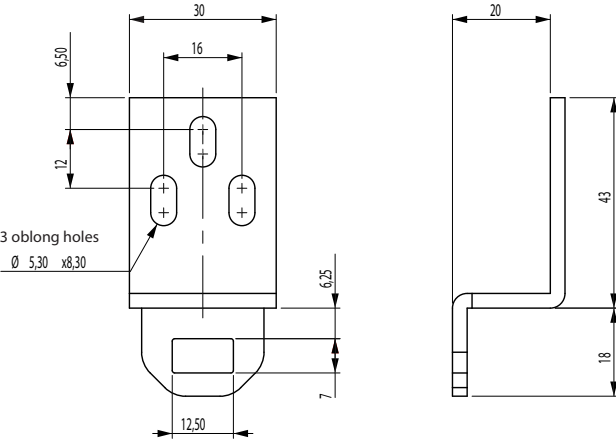
DUAL DOORLOCK

Available Star keys & Flat keys

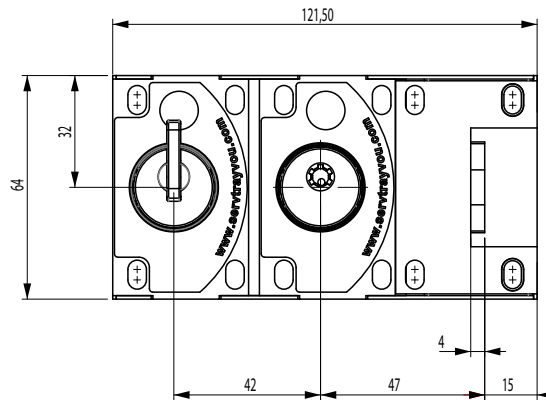
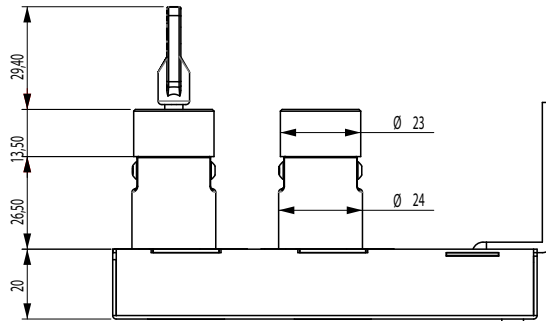
Ref: HSP2FPS6000



Pictures not contractually binding. Content and technical data subject to change without notice. To be confirm when ordering. QD33-2 - July 2019 edition - © Serv Trayvou Interverrouillage



Standard Lock reversible
Insertion in the two ways



Drawing unit : millimeters

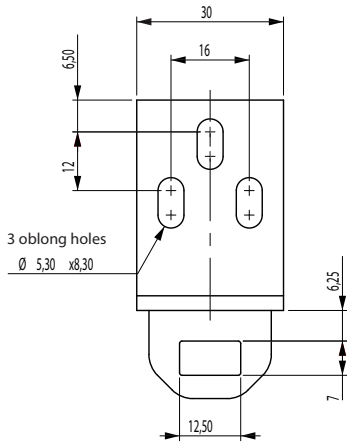
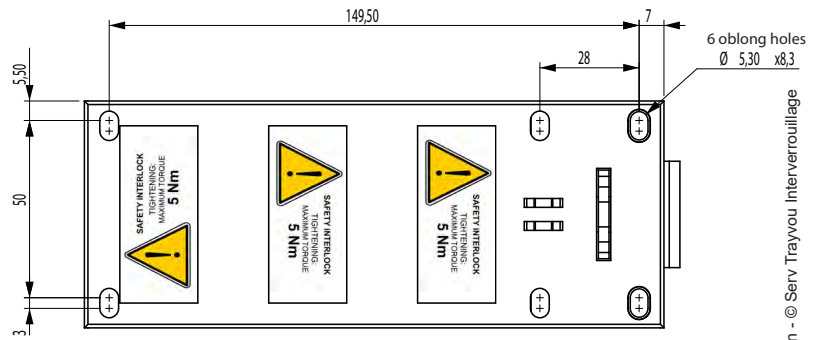
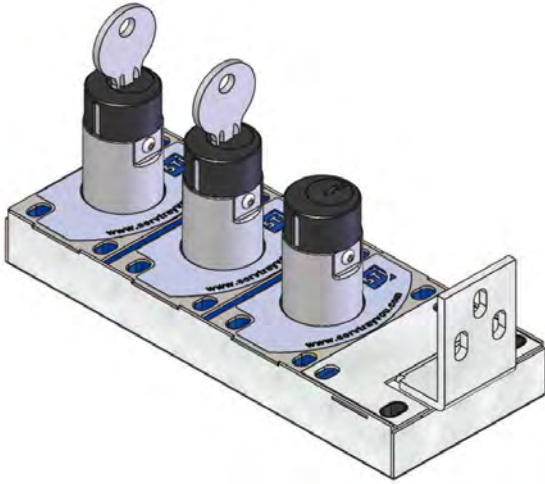
This plan is the property of STI and can not be reproduced without permission



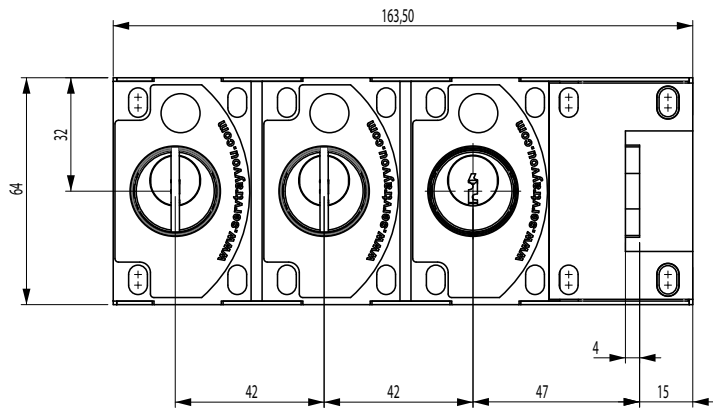
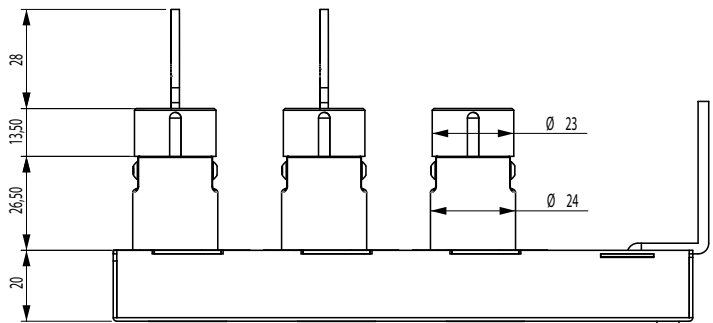
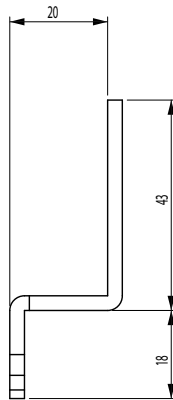
3 CYLINDERS DOORLOCK

Available Star keys & Flat keys

Ref: ASP3FEL6000



Standard Lock reversible
Insertion in the two ways



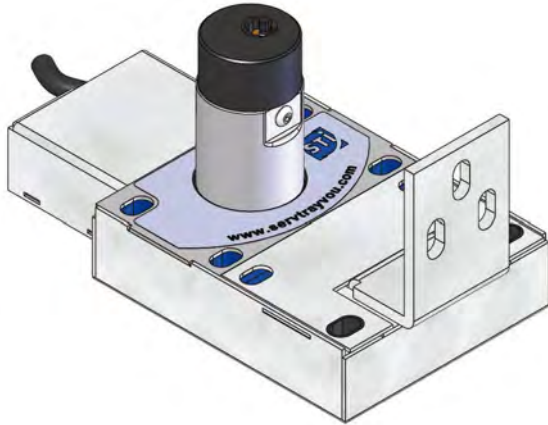
Drawing unit : millimeters

This plan is the property of STI and can not be reproduced without permission

DOORLOCK WIH SWITCH

Available Star keys & Flat keys

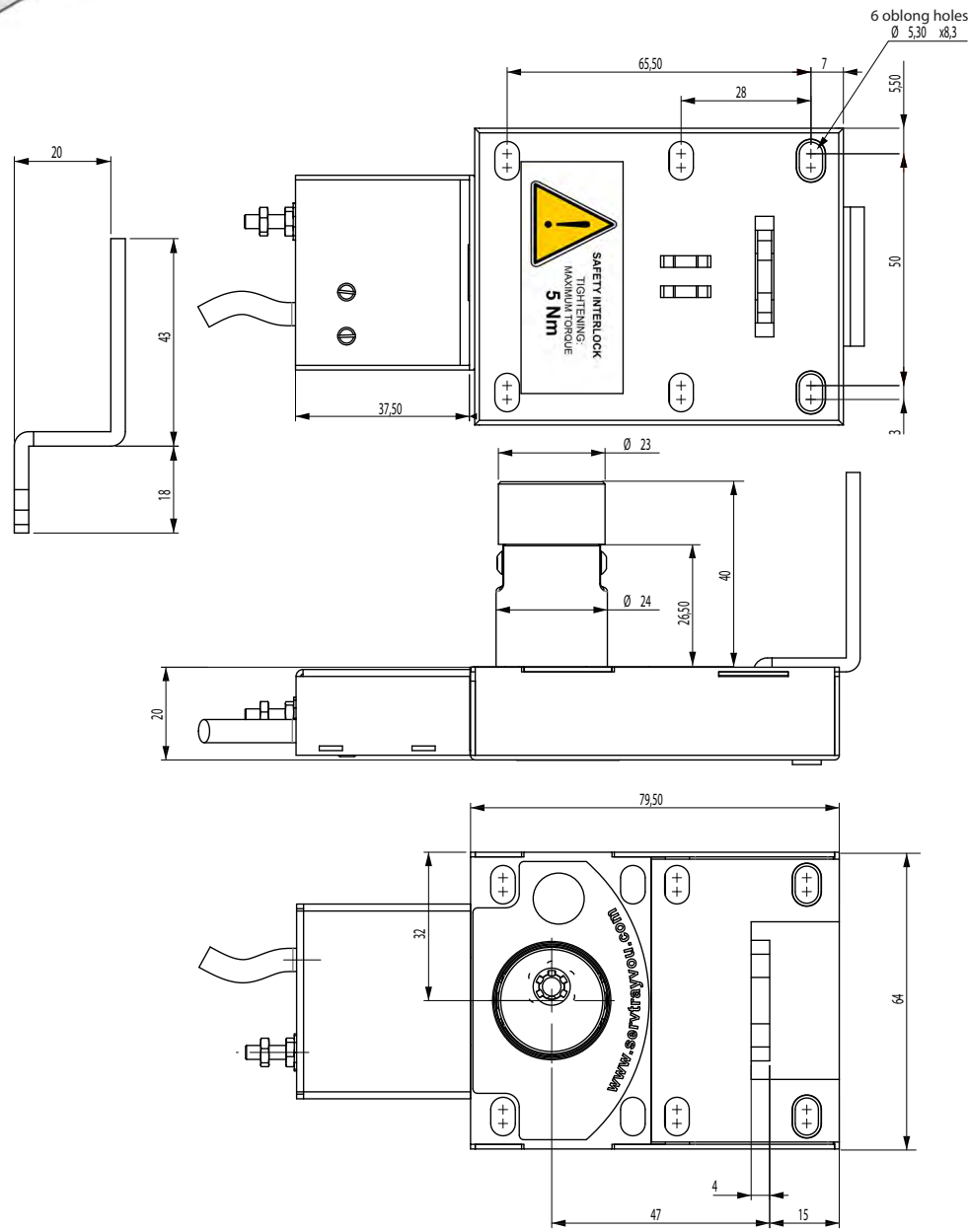
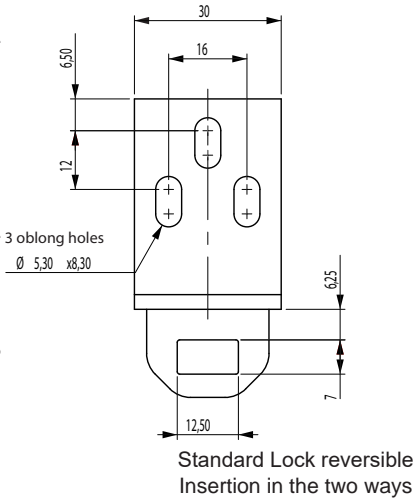
Ref: HPC1CPS6000



Switch technical features:

- 1 cable lg 1.2m, section 0.5mm²
 - *Black = Commun
 - *Grey = NC
 - *Blue = NO
- Rating at 250 VAC
 - * Nominal: 6A
 - * Thermal: 7.5A
- IP67
- Operating temperature: -40°C / +105°C

Pictures not contractually binding. Content and technical data subject to change without notice. To be confirm when ordering. QD33-2 - July 2019 - edition - © Serv Trayvou Interverrouillage



Drawing unit : millimeters

This plan is the property of STI and can not be reproduced without permission



Key exchange box



KEY EXCHANGE BOX

Key exchange boxes are used to release one or several keys by introducing one or more keys which are then trapped inside the box.

For example, all keys from earthing switches are trapped inside the box in order to release keys giving access to the transformer.

The minimum quantity of cylinders is 2. The maximum depends on the space available to install the lock. In some cases, depending on how many keys must be used and the space available, several boxes have to be used as a « chain ». The last key of the preceding box becomes the first key of the following box and so on.

Diagram



Order Information



1 - Cylinder profil	2 - Product family	3 - Nb of cylinder	4 - Key profil	5 - Type of rotor	6 - Particularity
A: Flat key H: Star key	ST: KEB SC: KEB with switch	Min 2	Star key: PS Flat key 5 pins: EK, EL, EM, EP, ET, EV Flat key 6 pins: GK, GL, GM, GP, GT, GV	5: Aluminium 6: Composite	000: Standard xxx: Customize

With a switch

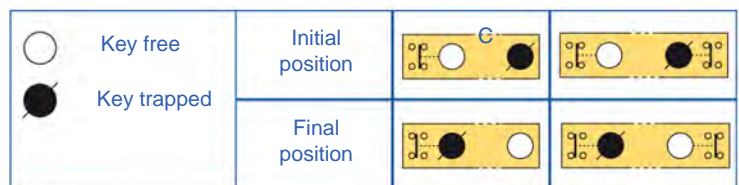
Electricals features:

This product complies with the low voltage directive (CE) 2006-95-CE

Rating at 250VCA:

Nominal : 5A

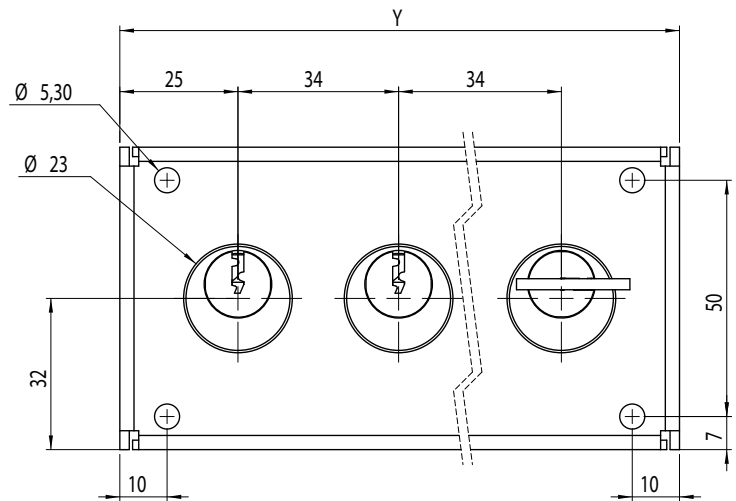
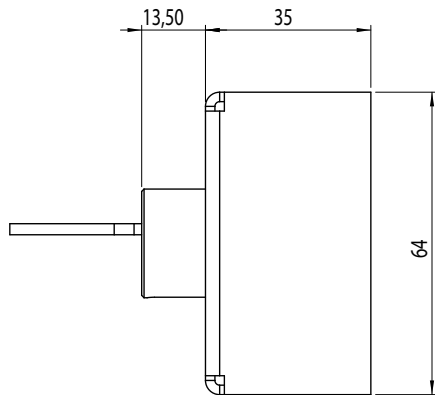
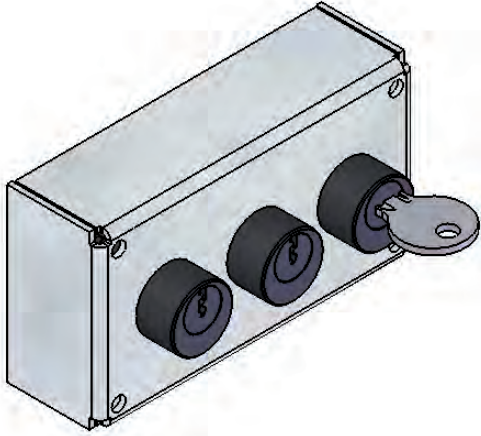
Thermal: 11A



KEY EXCHANGE BOX

Available Star keys & Flat keys

Ref: AST(N)EL6000



Total length Y of a KEB:

$$Y = ((N-1) \times 34) + (2 \times 63)$$

N = Quantity of cylinders

Drawing unit : millimeters

This plan is the property of STI and can not be reproduced without permission

KEY EXCHANGE BOX

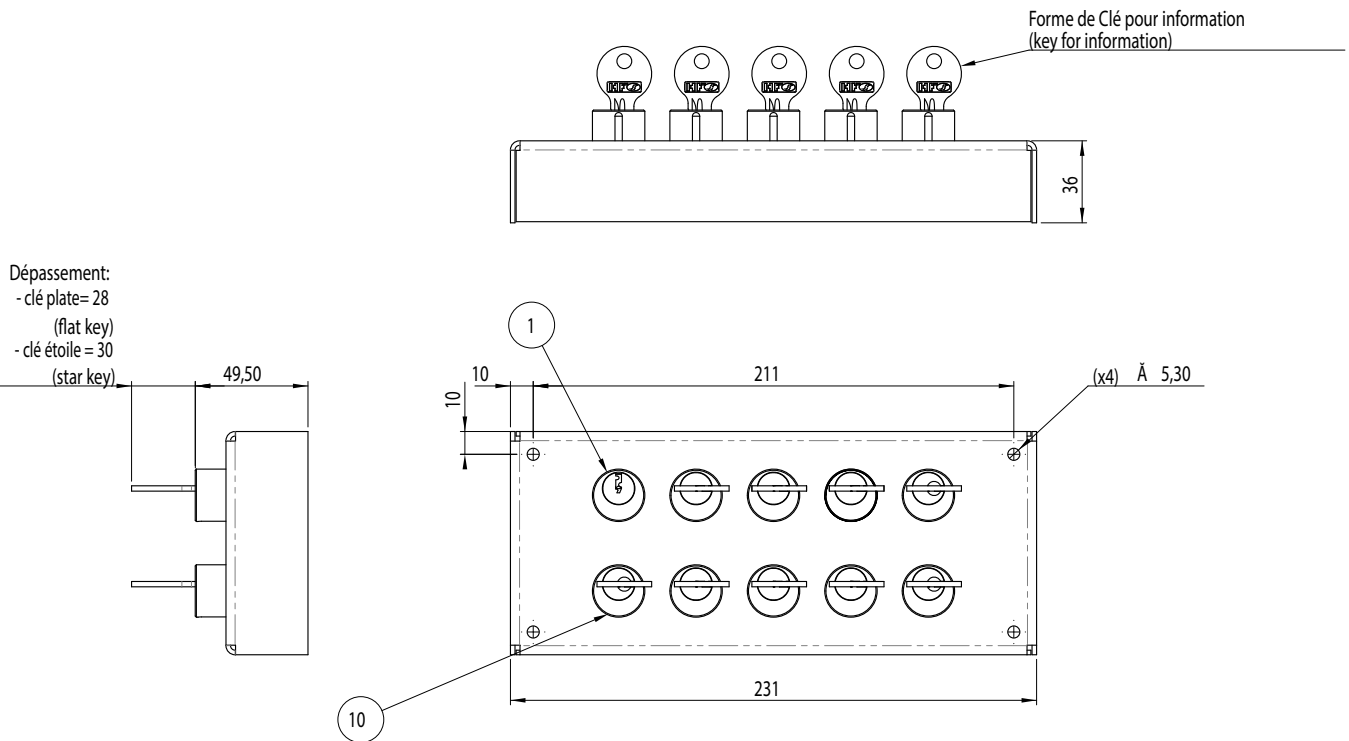


The linear key exchange box is a device that allows key exchange management.

The objective is to manage the key in a linear and determined way while reducing the overall size.

The table is tailor-made on demand following a quote from our team.

For more informations, contact us



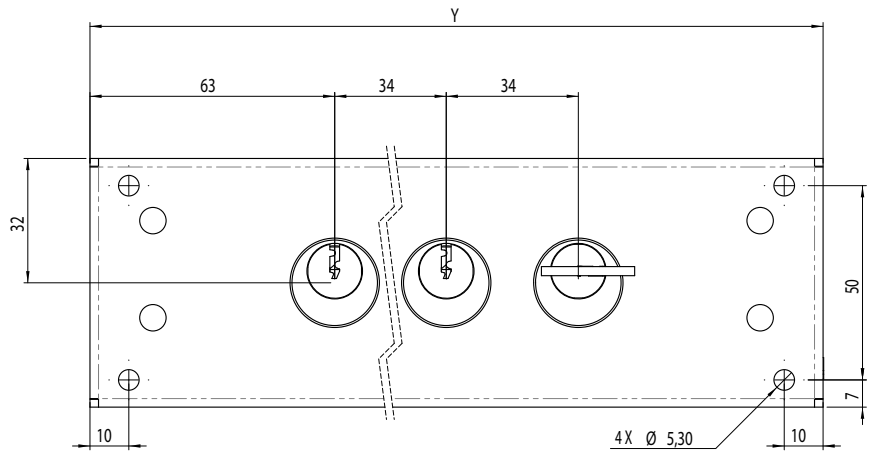
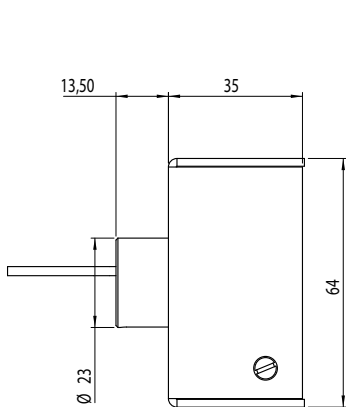
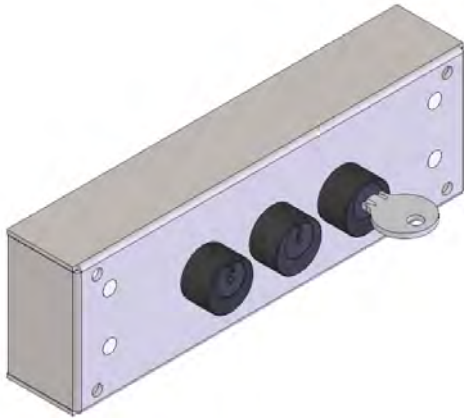
Drawing unit : millimeters

This plan is the property of STI and can not be reproduced without permission

KEY EXCHANGE BOX WITH SWITCH

Available Star keys & Flat keys

Ref: ASC(N)EL6000



Total length Y of a KEB:
 $Y = ((N-1) \times 34) + (2 \times 63)$
N= Quantity of cylinders

Drawing unit : millimeters

This plan is the property of STI and can not be reproduced without permission

Electromechanical Lock



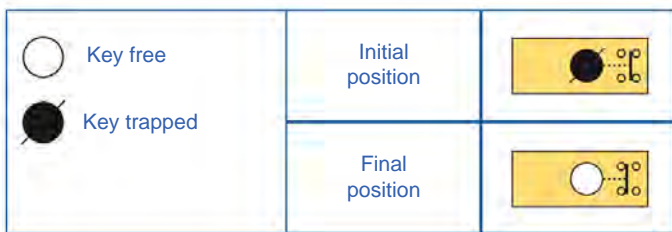
ELECTROMECHANICAL LOCK

Electromechanical locks are equipped with a solenoid which traps one or several keys. The key(s) can only be released when a electrical signal is given to the solenoid (when it's energised or not energised).

The solenoid then changes its position and allows the key or keys to be rotated.

System available from 1 to 3 cylinders depending on your application.

Diagram



Order Information



1 - Cylinder profil	2 - Product family	3 - Nb of cylinder	4 - Nb of bolt	5 - Function	6 - Key profil	7 - Type of rotor	8 - Particularity
A: Flat key H: Star key	SE: Standard Electromechanical lock PE: Electromechanical plate	1 2 3	1 2	Function A : Key release with voltage present B : Key release with voltage absent	Star key: PS Flat key 5 pins: EK, EL, EM, EP, ET, EV Flat key 6 pins: GK, GL, GM, GP, GT, GV	5: Aluminium 6: Composite	000: Standard xxx: Customize

Electricals features:

This product complies with the low voltage directive (CE) 2006-95-CE and CEM directive 2004-108-CE

Solenoid voltage available (VCA or VCC): 24, 48, 110, 125 and 230V.

Rating at 250VCA:

Nominal : 5A

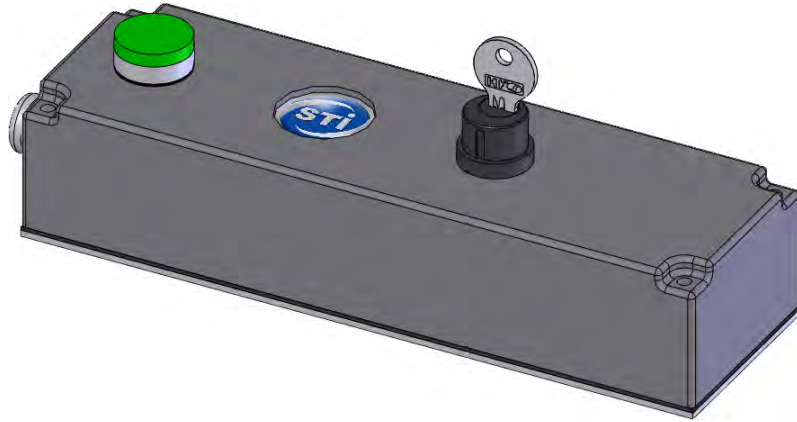
Thermal: 11A

SINGLE ELECTROMECHANICAL LOCK

Available Star keys & Flat keys

Ref: ASE10AEL6000

Please refer to the presentation page to construct reference

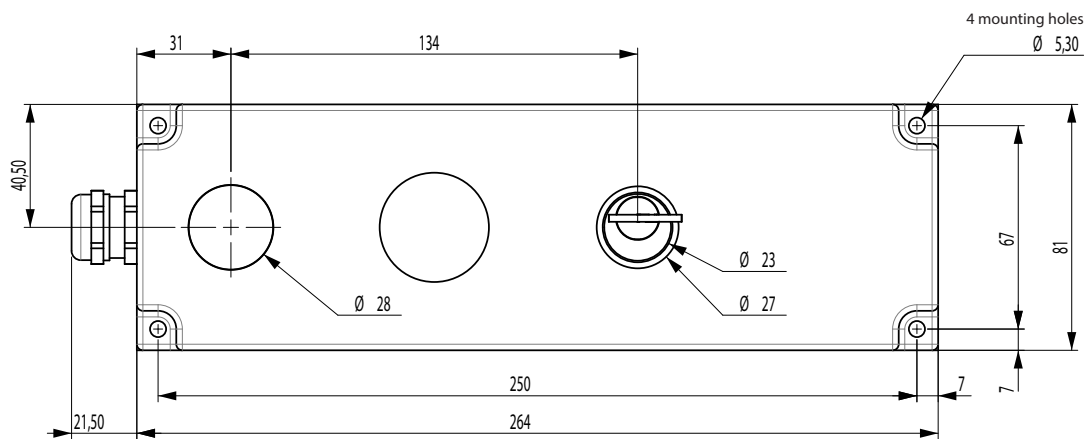
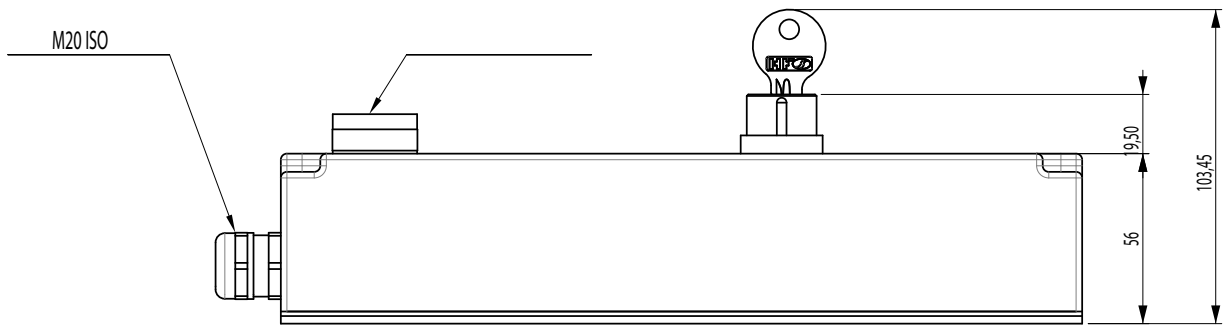


SOLENOID NOT ENERGISED:

- Key captive
- Switch open

SOLENOID ENERGISED:

- Key free
- Switch closed



Pictures not contractually binding. Content and technical data subject to change without notice. To be confirm when ordering. QD33-2 - July 2019 edition - © Serv Trayvou Interverrouillage

Drawing unit : millimeters

This plan is the property of STI and can not be reproduced without permission

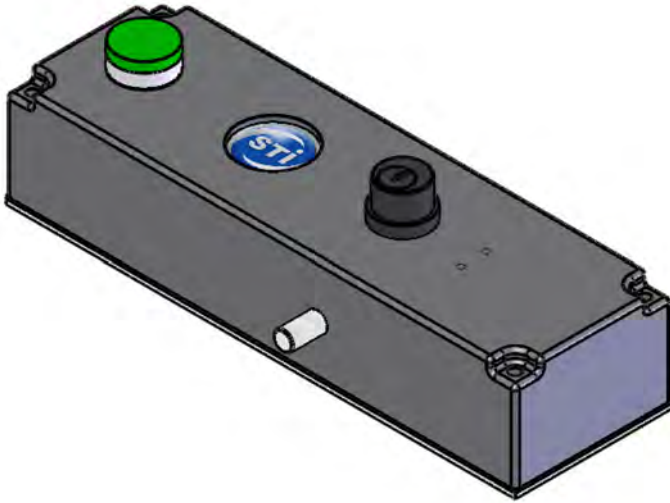


SINGLE ELECTROMECHANICAL WITH 1 BOLT

Available Star keys & Flat keys

Please refer to the presentation page to construct reference

Ref: ASE11AEL6000

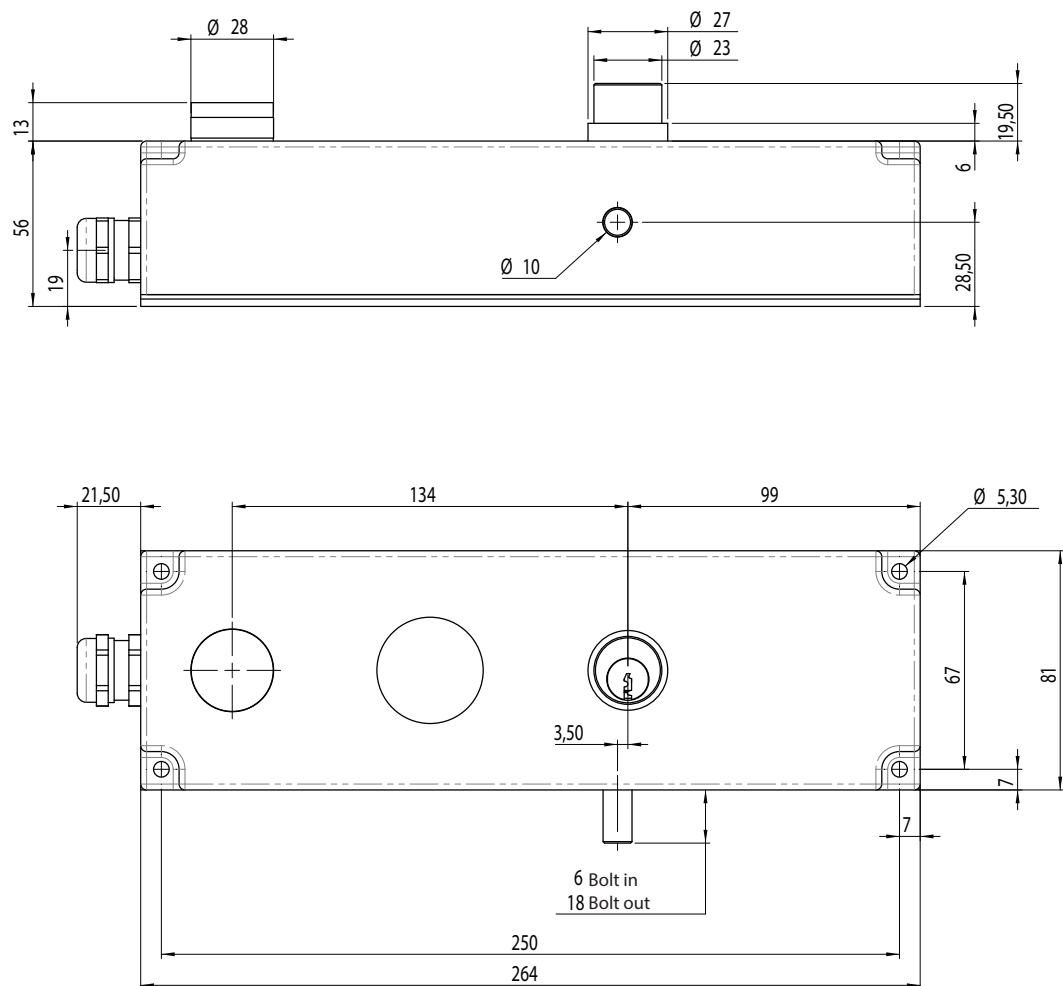


SOLENOID NOT ENERGISED:

- Lockbolt fits into the lock and is blocked by turning the key
- Key captive
- Switch open

SOLENOID ENERGISED:

- Lockbolt gets out of the lock and is blocked by turning the key
- Key free
- Switch closed



Drawing unit : millimeters

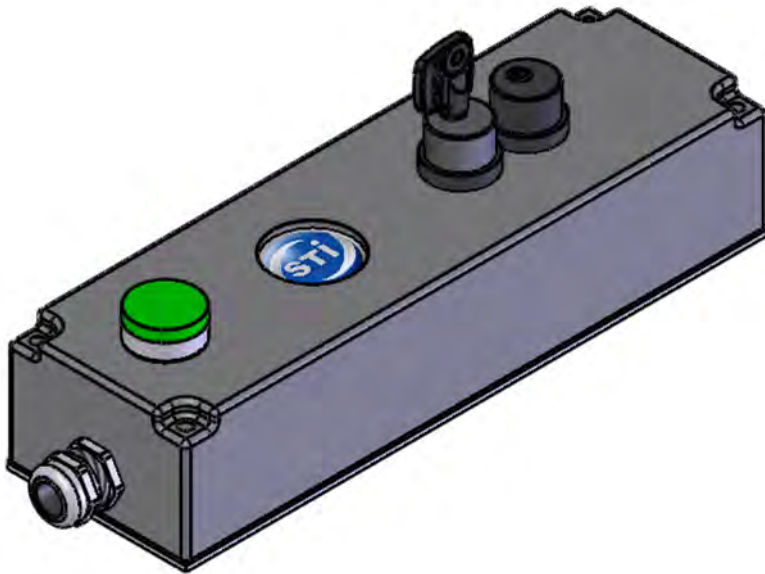
This plan is the property of STI and can not be reproduced without permission

DUAL ELECTROMECHANICAL LOCK

Available Star keys & Flat keys

Ref: HSE20APS6000

Please refer to the presentation page to construct reference

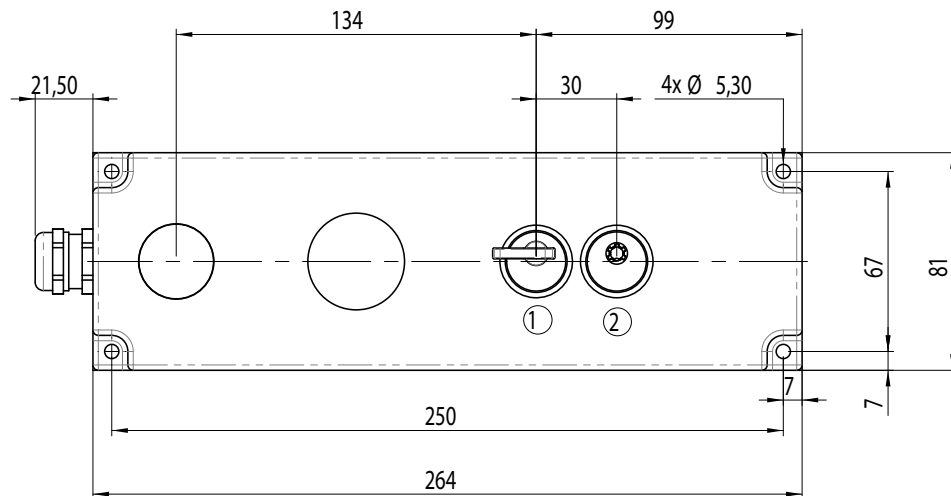
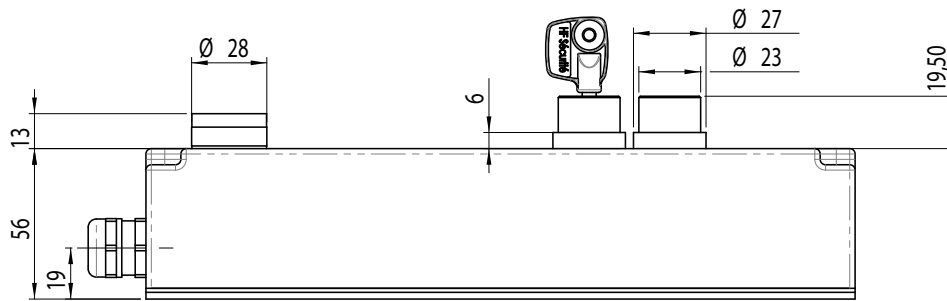


SOLENOID NOT ENERGISED:

- Key 1 captive and key 2 free
- Switch open

SOLENOID ENERGISED:

- Key 1 free and key 2 captive
- Switch closed



Pictures not contractually binding. Content and technical data subject to change without notice. To be confirm when ordering. QD33-2 - July 2019 - edition - © Serv Trayvou Interverrouillage

Drawing unit : millimeters

This plan is the property of STI and can not be reproduced without permission



REDUCED ELECTROMECHANICAL LOCK

Available Star keys & Flat keys

Ref: HSE10APS7000

Please refer to the presentation page to construct reference

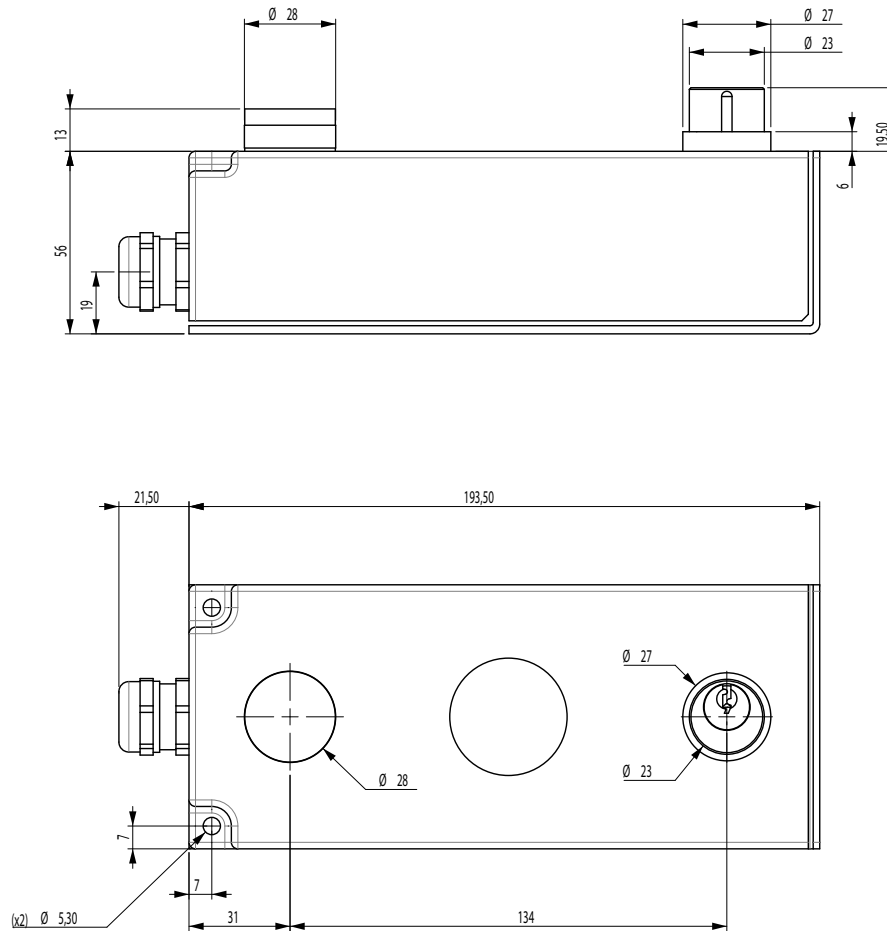


SOLENOID NOT ENERGISED:

- Key captive
- Switch open

SOLENOID ENERGISED:

- Key free
- Switch closed



Drawing unit : millimeters

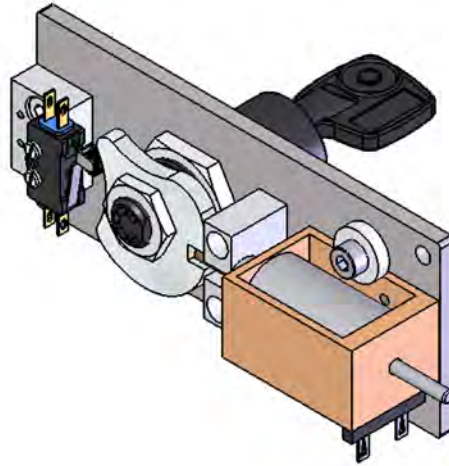
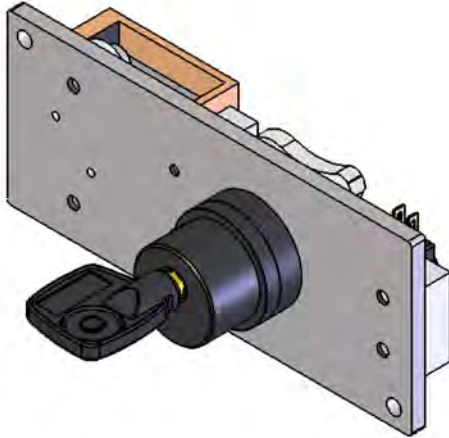
This plan is the property of STI and can not be reproduced without permission

ELECTROMECHANICAL LOCK PLATE

Available Star keys & Flat keys

Ref: HSE10APS63xx

Please refer to the presentation page to construct reference

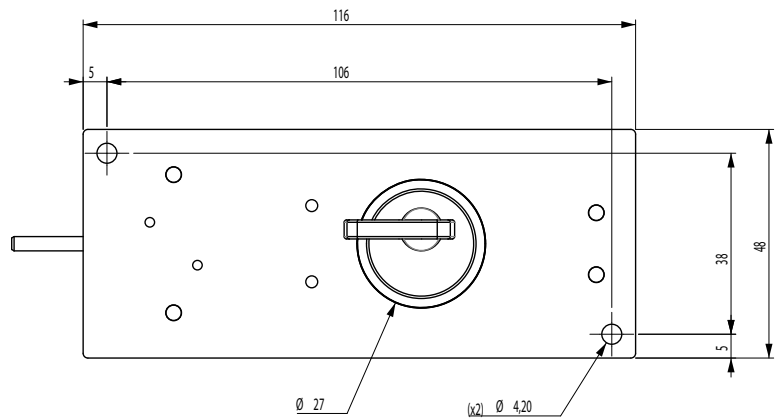
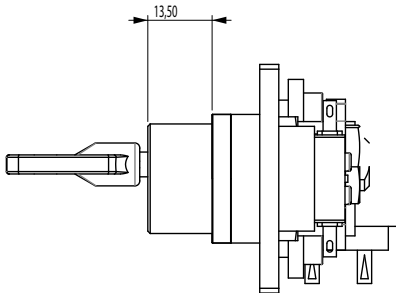


SOLENOID NOT ENERGISED:

- Key captive
- Switch open

SOLENOID ENERGISED:

- Key free
- Switch closed



Delivered unwired
Option: auxiliary push button (hole $\varnothing 22$ is required)

Pictures not contractually binding. Content and technical data subject to change without notice. To be confirm when ordering. QD33-2 - July 2019 edition - © Serv Trayvou Interverrouillage

Drawing unit : millimeters

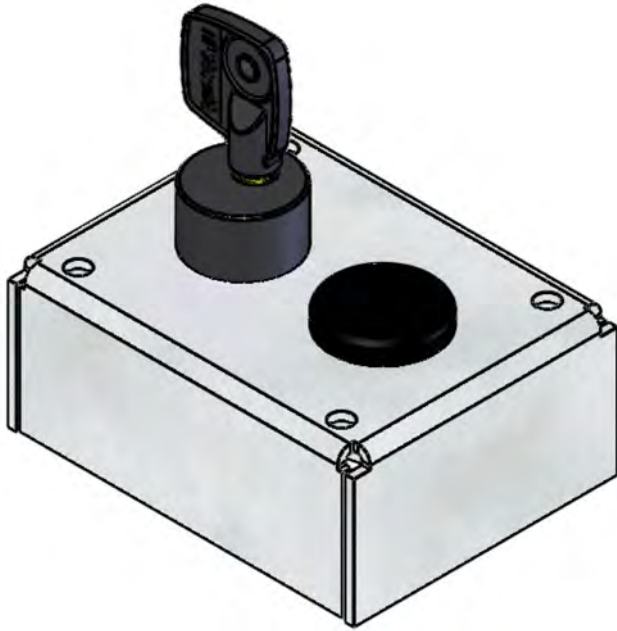
This plan is the property of STI and can not be reproduced without permission



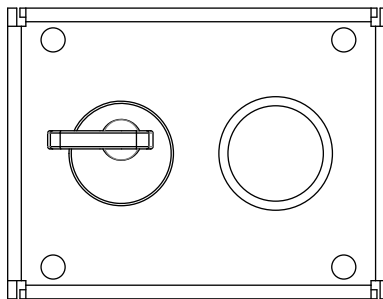
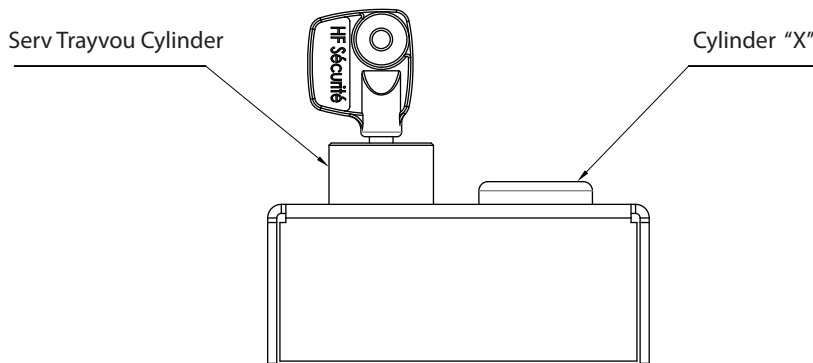
Special Products



COMPATIBLE LOCK



We can / we are available to manufacture a key exchange with any cylinder on the market.

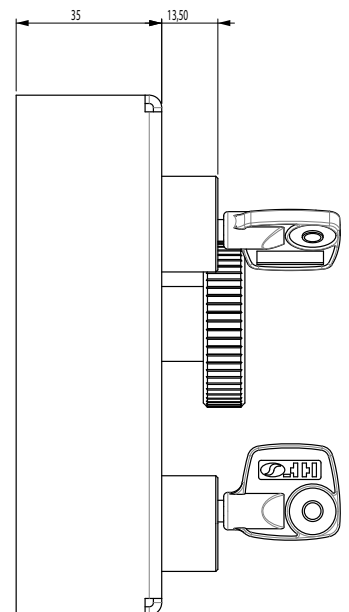
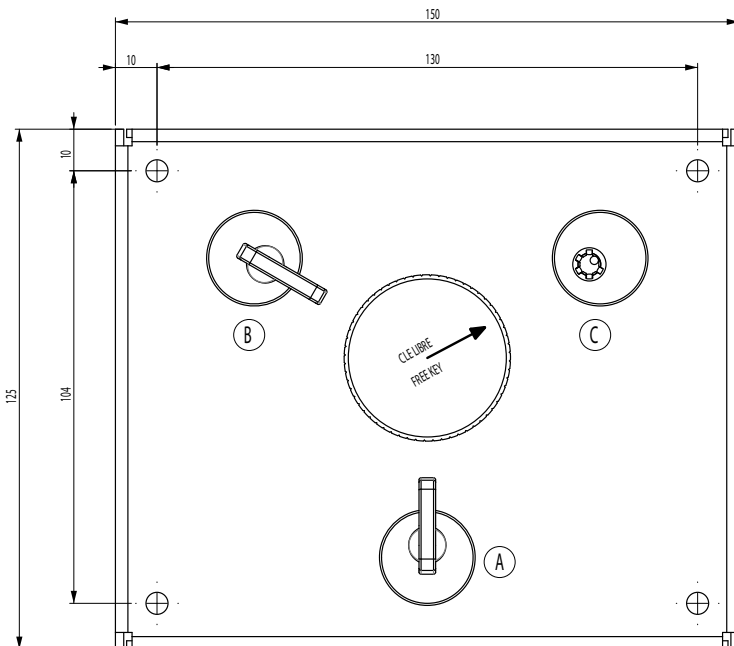


This plan is the property of STI and can not be reproduced without permission

3 CYLINDERS SELECTOR



	A	B	C
1sr case	1	1	0
2nd case	1	0	1
3rd case	0	1	1

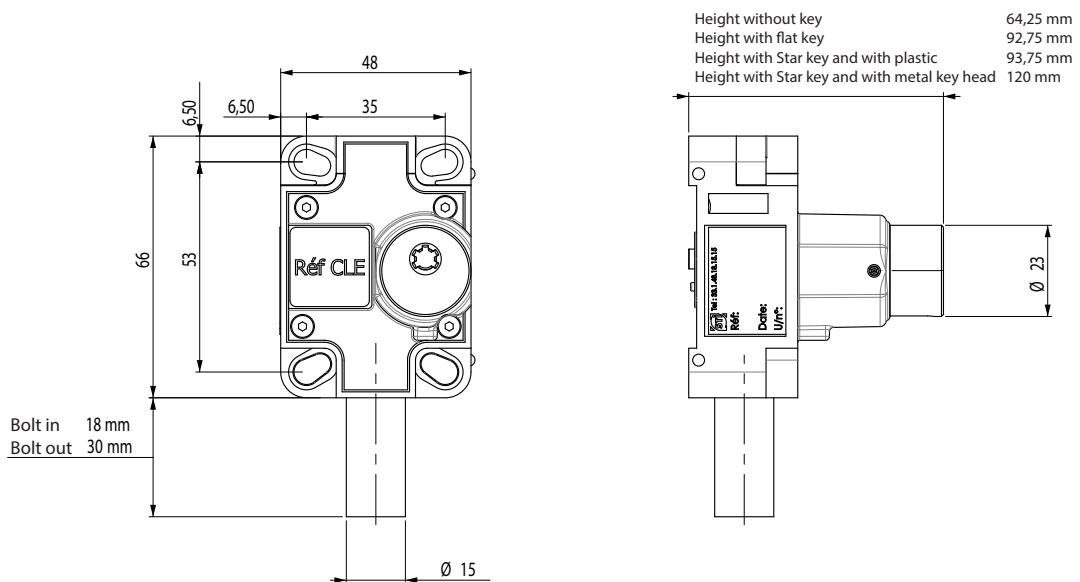
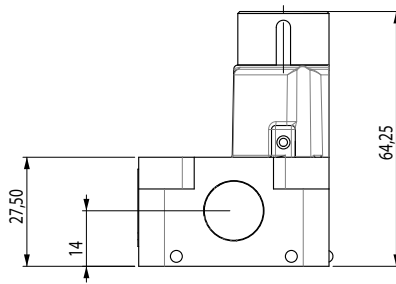
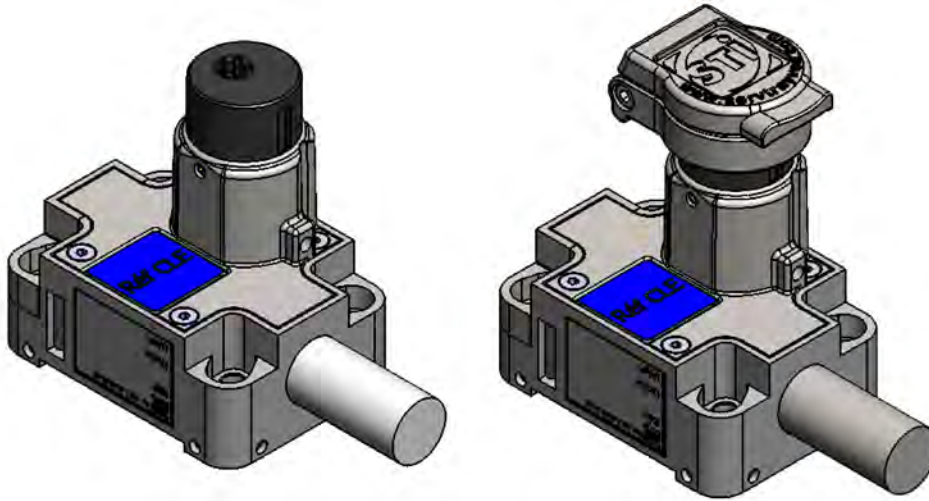


Drawing unit : millimeters

This plan is the property of STI and can not be reproduced without permission

NX0P15 HERCULE

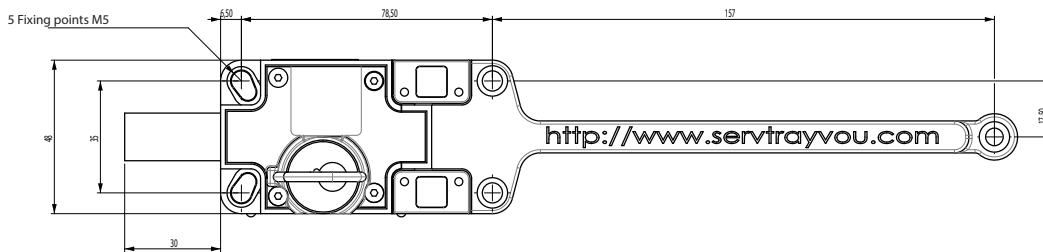
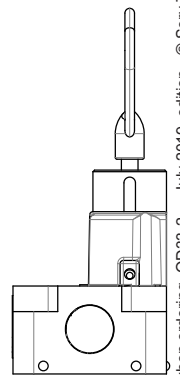
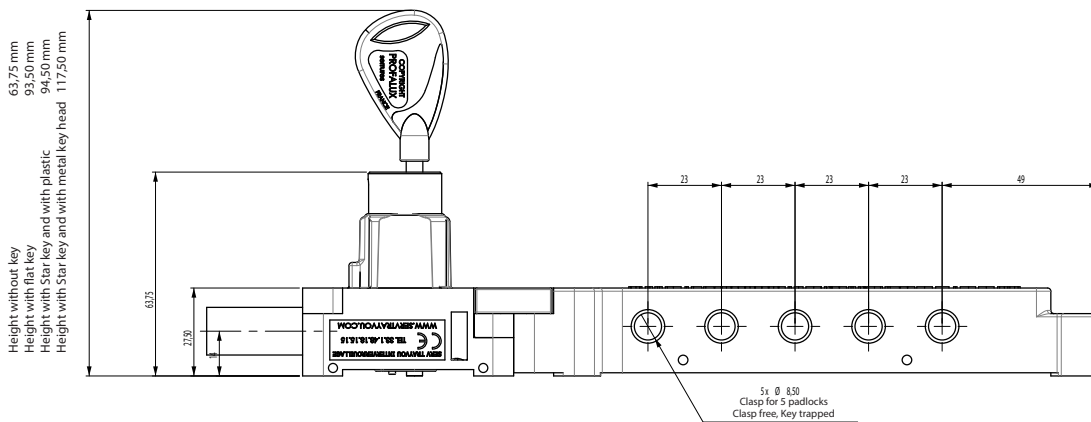
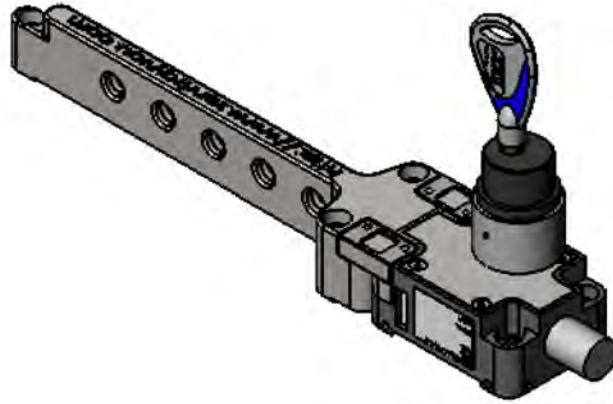
Option: Dust Cover



Drawing unit : millimeters

This plan is the property of STI and can not be reproduced without permission

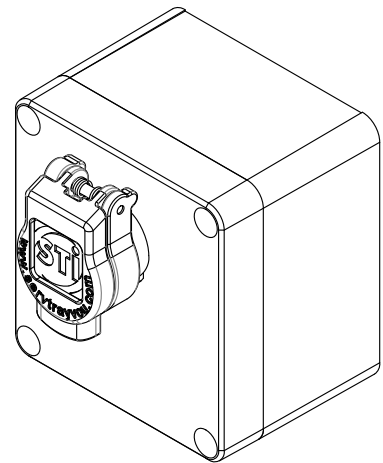
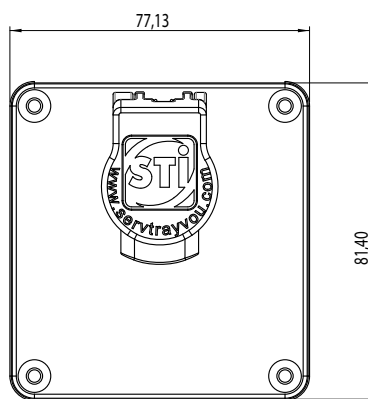
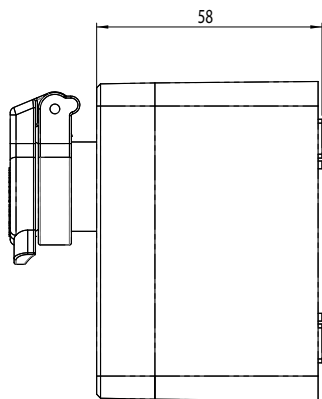
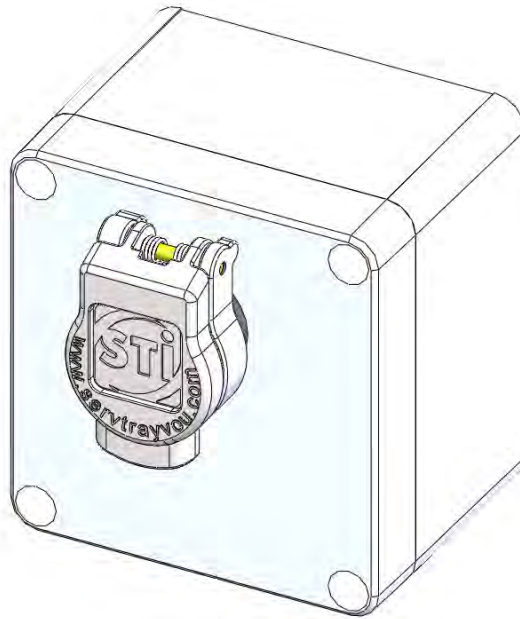
HERCULE WITH MULTI-CLASP PADLOCKS



Drawing unit : millimeters

This plan is the property of STI and can not be reproduced without permission

HERCULE CAMLOCK/SWITCH IP66/67



Pictures not contractually binding. Content and technical data subject to change without notice. To be confirm when ordering. QD33-2 - July 2019 edition - © Serv Trayvou Interverrouillage

Drawing unit : millimeters

This plan is the property of STI and can not be reproduced without permission

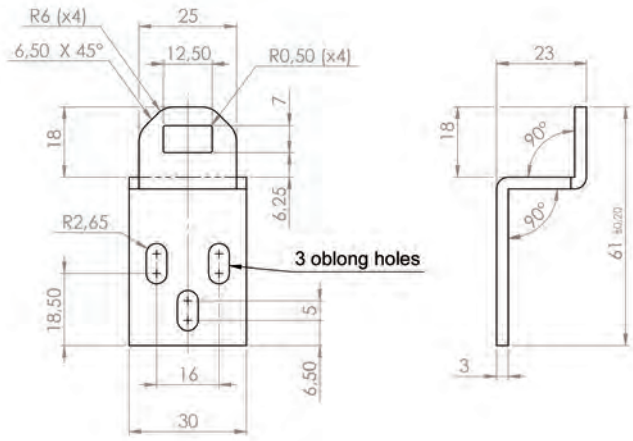
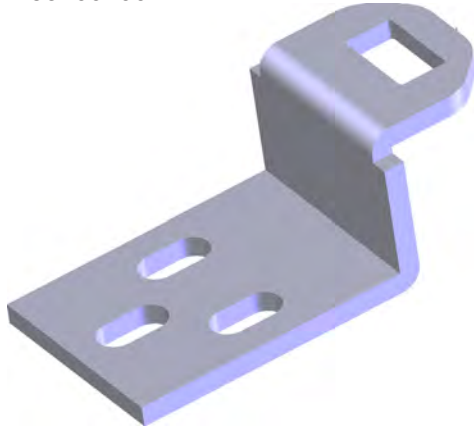


Accessories



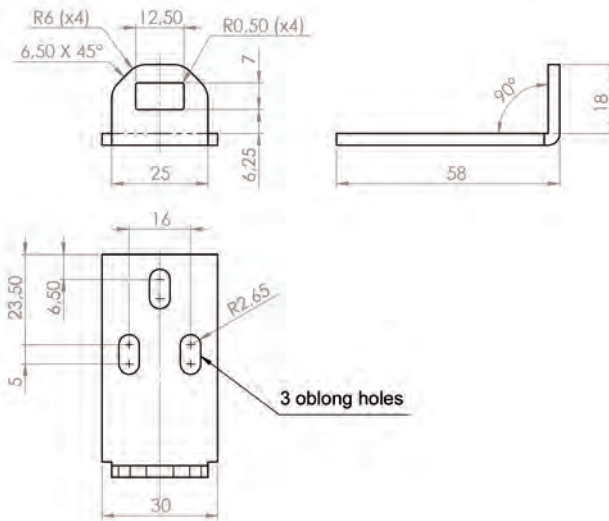
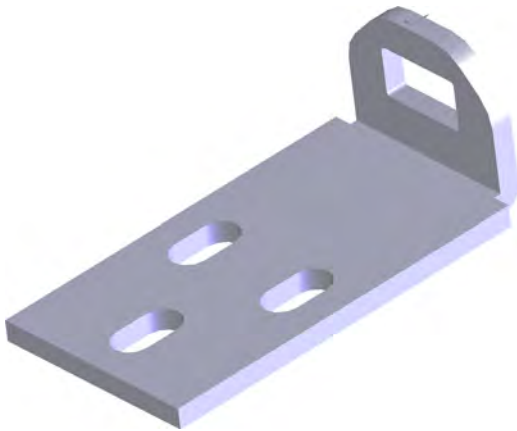
Bent Stricker Plate

Usually supplied for doorlocks
Ref: D53100100



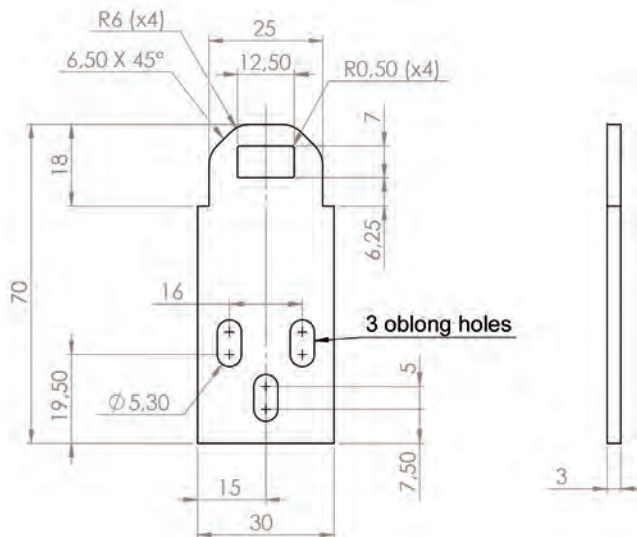
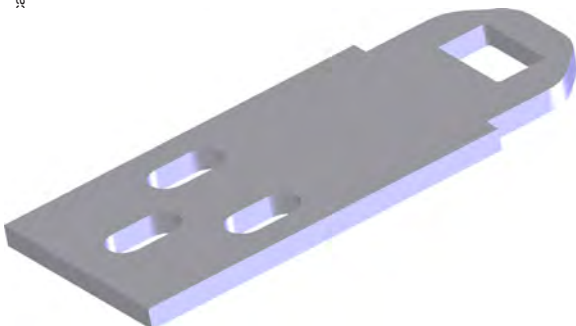
90° Bent Stricker Plate

As an option
Ref: D53100300



Straight Stricker Plate

As an option
Ref: D53100200



Technical data subject to change without notice. To be confirmed when ordering. QD33-2 - July 2019 - edition - © Serv Trayvou Interverrouillage

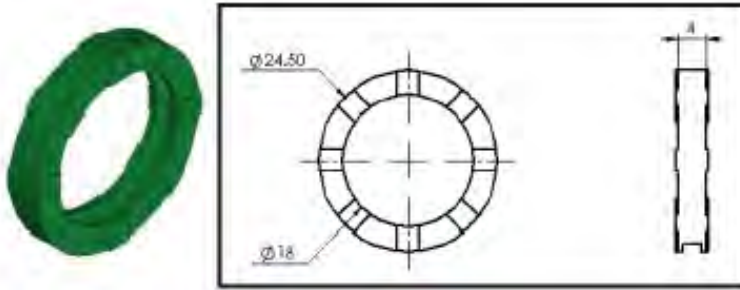
Pictures



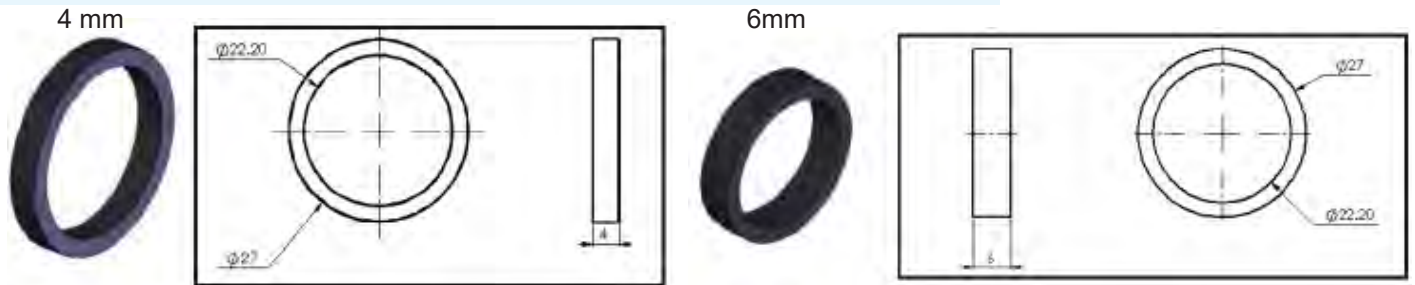
ACCESSORIES

The accessories presented below are supplies depending on the locks ordered

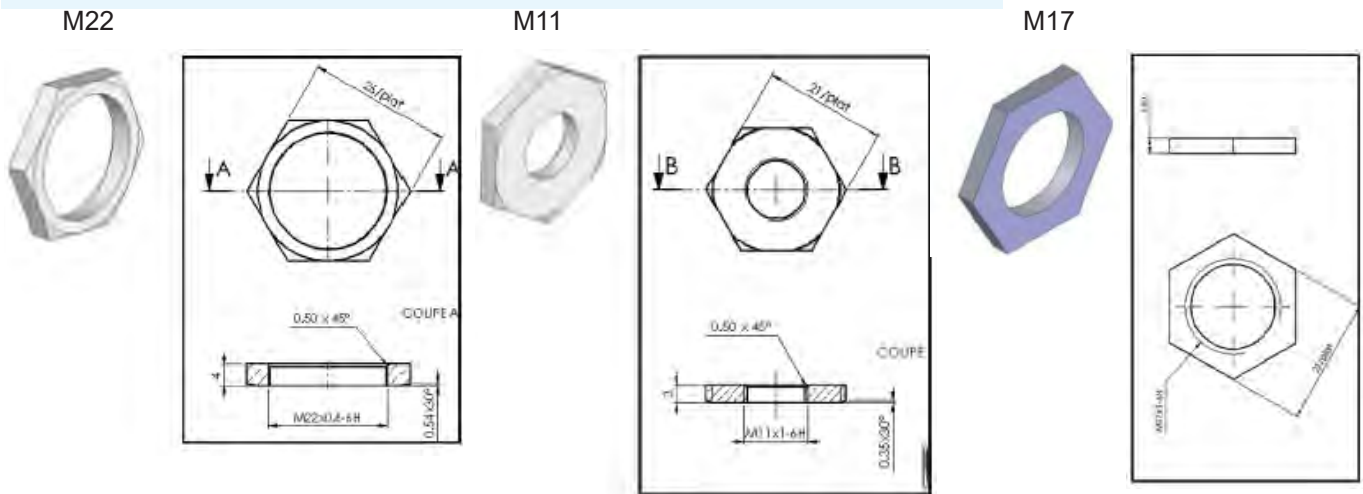
Coloured Identifier



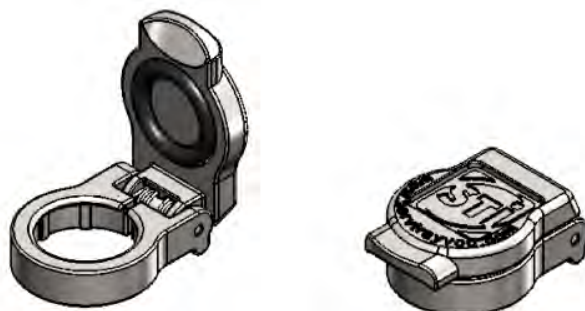
Spacer Ring



Nut



Dust Cover



Glossary



Camlock

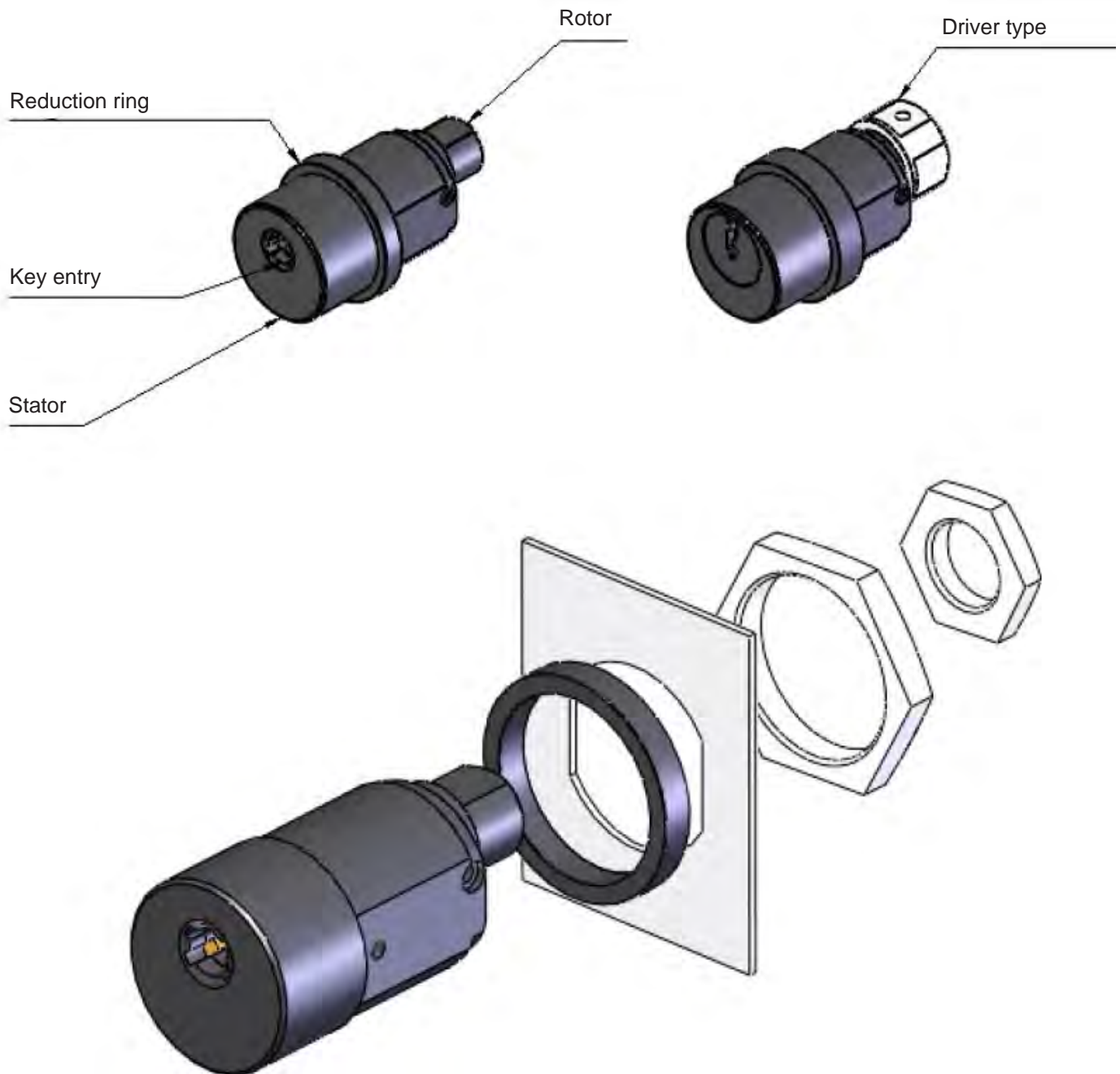


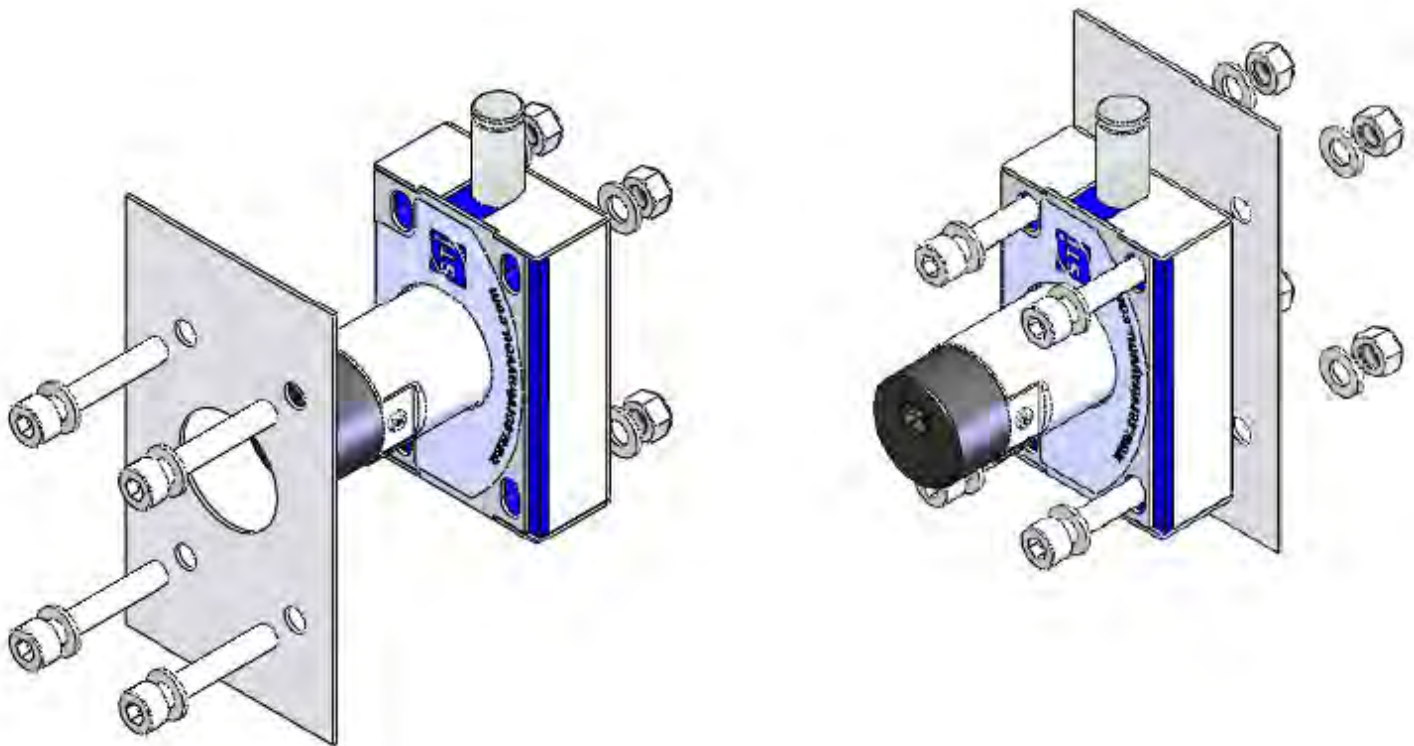
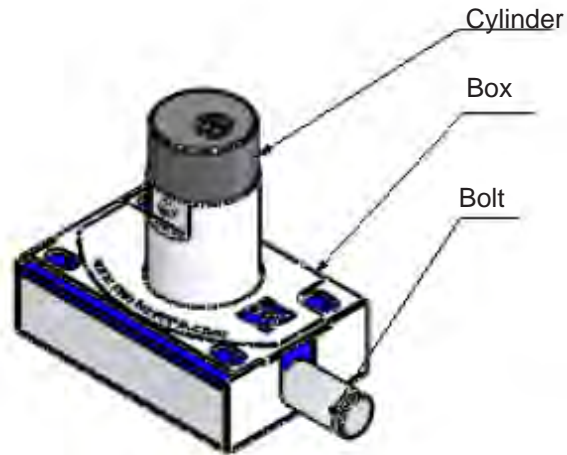
Plate drilling : $\varnothing 22,5 + 1$ flat of 19.5

Use the supplied nuts and tighten with following torque:

- M22x0.8 : 10Nm maxi

- M17x1 : 2.5 Nm maxi

Boltlock

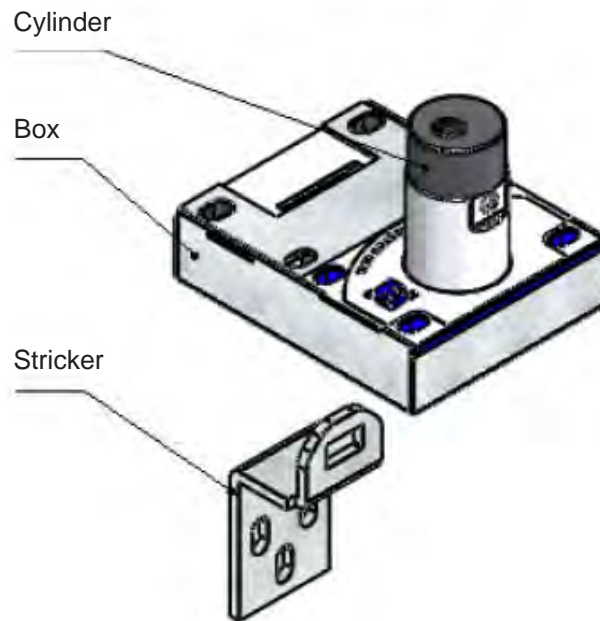


M5 tightening elements (washers, nuts, screws)

Plate drilling: 4 holes $\varnothing 5,3$ + 1 hole $\varnothing 25$

Tightening torque: 5Nm maxi

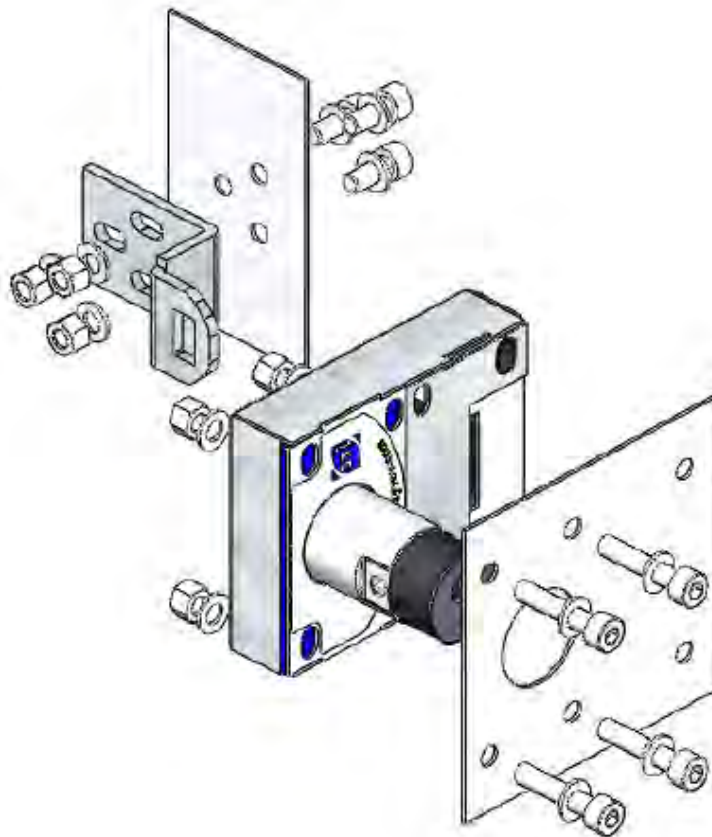
Doorlock



M5 tightening elements (washers, nuts, screws)

Plate drilling: 4 holes $\varnothing 5,3$ + 1 hole $\varnothing 25$

Tightening torque: 5Nm maxi



Lock Functions



LIST OF LOCKS FUNCTIONS

Lock 1 cylinder			
Functions	Initial state	Final state	Direction of rotation
C			D
D			G

Lock 2 cylinders - 1 bolt					
Functions	Initial state	Final state	Direction of rotation		Rotation order
			A	B	
F			D	D	A-B
H			D	D	B-A
J			G	D	B-A
K			D	D	A-B
L			G	D	B-A
M			D	G	A-B
N			D	G	B-A

LIST OF LOCKS FUNCTIONS

Lock 2 cylinders - 1 bolt					
Functions	Initial state	Final state	Direction of rotation		Rotation order
			A	B	
J			D	D	A-B
H			D	D	B-A

Lock 3 cylinders - 1 bolt						
Functions	Initial state	Final state	Direction of rotation			Rotation order
			A	B	C	
F			D	D	D	A-B-C
J			G	D	D	C-B-A

Doorlock 1 cylinder				
Functions	Initial state	Final state	Old Function RP range	Old Function PS range
C				

Doorlock 2 cylinders					
Functions	Initial state	Final state	Direction of rotation		Rotation order
			A	B	
F			D	D	A-B
H			D	D	B-A
J			D	D	B-A

Pictures not contractually binding. Content and technical data subject to change without notice. To be confirm when ordering. QD33-2 - July 2019 edition - © Serv Trayvou Interverrouillage



LIST OF LOCKS FUNCTIONS

Electromechanical				
Functions	Initial state	Final state	Old Function RP range	Old Function PS range
A			2A	2A
B			1A	1A



How to build product references



HOW TO BUILD PRODUCT REFERENCES

Flat key

FLAT KEY																
Old range		NOGAPI					"HERCULE Composite"					"HERCULE Aluminium"				
Type	Function	Type of key	Type of lock	Rotation sense and value	Flat key profile	Version (3000 = standard)	Type of key	Type of lock	Rotation sense and value	Flat key profile	Version (6000 = standard)	Type of key	Type of lock	Rotation sense and value	Flat key profile	Version (5000 = standard)
Camlock: 9/M11	1104 B A	R	BA	90D 90G	EL	3000	A	BA	90D 90G	EL	6000	A	BA	90D 90G	EL	5000
Camlock: 15x15/M17	1351 B A	R	BA	90D 90G	EL	3333	A	BA	90D 90G	EL	6333	A	BA	90D 90G	EL	5333
Boltlock 1 cylinder	EL11 AP BP	R	VE11	C D	EL	3000	A	VE11	C D	EL	6000	A	VE11	C D	EL	5000
Boltlock 1 cylinder with switch	ELN11 AP BP	R	VC	C D	EL		A	VC11	C D	EL	6000	A	VC11	C D	EL	5000
Boltlock 2 cylinders - 1 bolt	EL12 AP BP LP CP GP HP IP	R	VE21	F H J K L M N	EL	3000	A	VE21	F H J K L M N	EL	6000	A	VE21	F H J K L M N	EL	5000
Boltlock 2 cylinders - 2 bolts	EL22 AP BP	R	VE22	J H	EL	3000	A	VE22	J H	EL	6000	A	VE22	J H	EL	5000
Boltlock 2 cylinders with switch	ELN11 AP BP	R	VC21	F H	EL	3000	A	VC21	F H	EL	6000	A	VC21	F H	EL	5000
Boltlock 3 cylinders	On request															
Doorlock 1 cylinder	ELP1 -	R	SP1	C	EL	4000	A	SP1	C	EL	6000	A	SP1	C	EL	5000
Doorlock 2 cylinders	ELP2 SP -	R	SP2	F H J	EL	4000	A	SP2	F H J	EL	6000	A	SP2	F H J	EL	5000
Doorlock 3 cylinders	On request															
Key exchange box	ELC12	R	ST3	EL		3000	A	ST3	EL		6000	A	ST3	EL		5000
Key exchange box with switch	ELC 11M1 11M1M1	R	SC2	EL		3000 3225	A	SC2	EL		6000 6225	A	SC2	EL		5000 5225

Short information on different key profiles:

Key profile	5 pins	6 pins
2	EL	GL
5	EK	GK
201	EM	GM
301	ET	GT
501	EP	GP
601	EV	GV

HOW TO BUILD PRODUCT REFERENCES

Star key

STAR KEY																
Old range		NOGAPI					"HERCULE Composite"					"HERCULE Aluminium"				
Type	Function	Type of key	Type of lock	Rotation sense and value	Star key profile	Version (3000 = standard)	Type of key	Type of lock	Rotation sense and value	Star key profile	Version (6000 = standard)	Type of key	Type of lock	Rotation sense and value	Star key profile	Version (5000 = standard)
Camlock: 9/M11	B20Y D4 G4	P	BA	90D 90G	PS	3000	H	BA	90D 90G	PS	6000	H	BA	90D 90G	PS	5000
Camlock: 15x15/M17	B24Z D4 G4	P	BA	90D 90G	PS	3333	H	BA	90D 90G	PS	6333	H	BA	90D 90G	PS	5333
Boltlock 1 cylinder	V11 01 02	P	VE11	C D	PS	3000	H	VE11	C D	PS	6000	H	VE11	C D	PS	5000
Boltlock 1 cylinder with switch	E1 01 02	P	VC	C D	PS		H	VC11	C D	PS	6000	H	VC11	C D	PS	5000
Boltlock 2 cylinders - 1 bolt	V21 01 02 03 - - 04	P	VE21	F H J K L M N	PS	3000	H	VE21	F H J K L M N	PS	6000	H	VE21	F H J K L M N	PS	5000
Boltlock 2 cylinders - 2 bolts	V22 01 02	P	VE22	J H	PS	3000	H	VE22	J H	PS	6000	H	VE22	J H	PS	5000
Boltlock 2 cylinders with switch	E21 01 02	P	VC21	F H	PS	3000	H	VC21	F H	PS	6000	H	VC21	F H	PS	5000
Boltlock 3 cylinders	On request															
Doorlock 1 cylinder	P1 -	P	SP1	C	PS	4000	H	SP1	C	PS	6000	H	SP1	C	PS	5000
Doorlock 2 cylinders	P2 01 04	P	SP2	F H J	PS	4000	H	SP2	F H J	PS	6000	H	SP2	F H J	PS	5000
Doorlock 3 cylinders	On request															
Key exchange box	C12	P	ST3	PS	PS	3000	H	ST3	PS	PS	6000	H	ST3	PS	PS	5000
Key exchange box with switch	C11 M1 M1M1	P	SC2	PS	PS	3000 3225	H	SC2	PS	PS	6000 6225	H	SC2	PS	PS	5000 5225

Pictures not contractually binding. Content and technical data subject to change without notice. To be confirm when ordering. QD33-2 - July 2019 - edition - © Serv Trayvou Interverrouillage







SERV TRAYVOU INTERVERROUILLAGE
1 ter rue du Marias
93106 MONTREUIL CEDEX
FRANCE

Phone: +33 1 48 18 15 15
Fax: +33 1 48 59 68 50

email: sales@servtrayvou.com
web: www.servtrayvou.com



The key to solve any problem